

ShowTex Manual StudioWeight



Component Parts

StudioWeight consists of the following parts:



Straight L-profile



Bendable L-profiel



StageWeight



SpanFix

Name	Art.nr.	Colour	Weight	Information
StudioWeight	7482 0000 1007	■	5,6 kg	Straight L-profile 100x50 - 1 m
	7482 0000 2007	■	11,2 kg	Straight L-profile 100x50 - 2 m
	7482 0001 1007	■	11,2 kg	Bendable L-profile 100x50 - 2 m
StageWeight	7480 0015 0007	■	15 kg	210 x 210 x 70 mm
SpanFix	7620 0014 0003	□		length 14 cm
	7620 0014 0007	■		length 14 cm
	7620 0000 0003	□		length 25 cm
	7620 0000 0007	■		length 25 cm
	7620 0035 0003	□		length 35 cm
	7620 0035 0007	■		length 35 cm

Assembly

In order for the system to operate correctly the following steps should be taken:

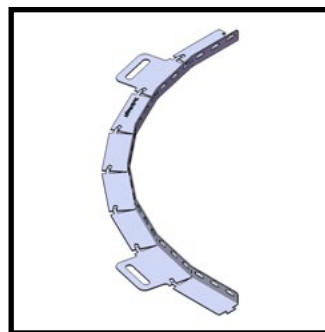
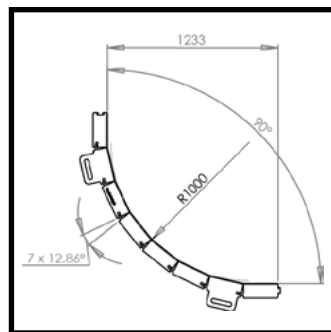
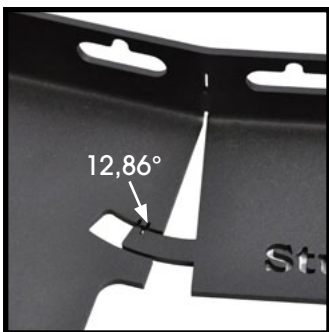
- 1 Choose the number of profiles and select the appropriate type.



1 Straight L-profile

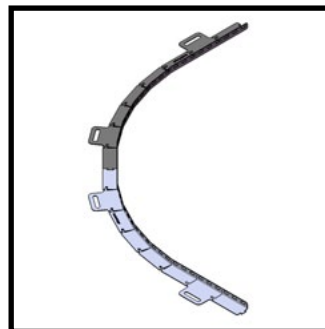
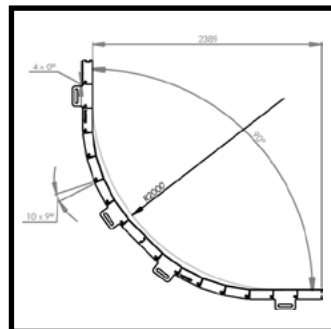
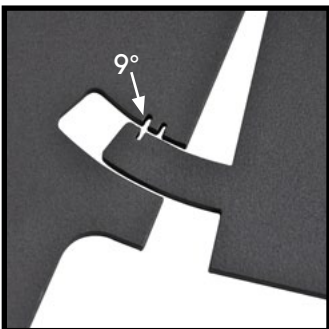
2 Bendable L-profile

- 2 Bend the bendable profiles



Use one bendable profile to create a **90° curve with a 100 cm radius**. Fold each profile section to mark 1 (12,86°).

$$7 \times 12,86^\circ = 90^\circ$$



Use two bendable profiles to create a **90° bend with a 200 cm radius**. Fold the first 5 sections of each profile to mark 2 (9°). The two outer sections of each profile remain unfolded (0°).

$$2 \times (5 \times 9^\circ) + 2 \times (2 \times 0^\circ) = 90^\circ$$

- 3 Connect all profiles



Assembly

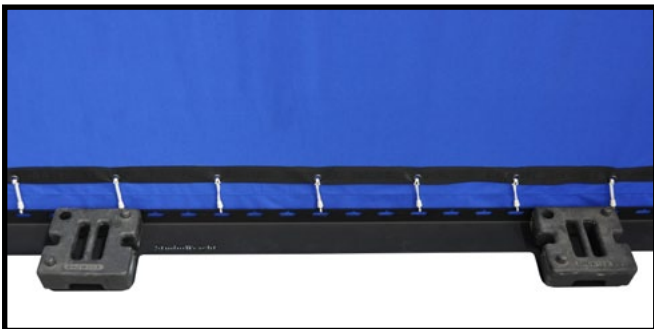
4 Install the profiles beneath the curtain



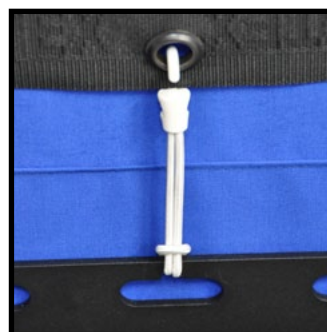
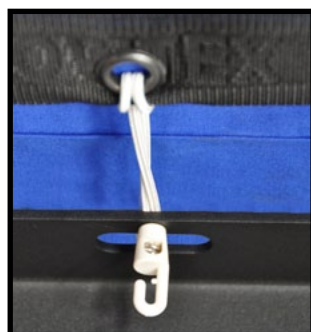
5 Install StageWeights on the profiles



6 Attach the curtain to the profiles using SpanFix

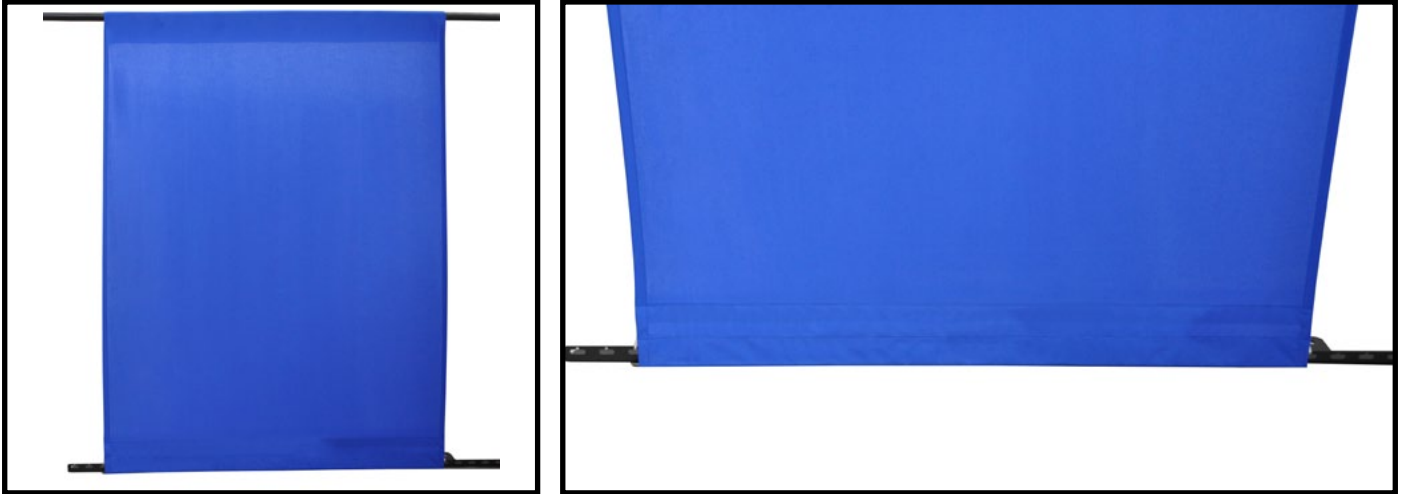


7 Different fastening techniques



Trouble Shooting

For more technical assistance please contact your local ShowTex office.
(See back cover of manual)



HAVE A GREAT SHOW!

