

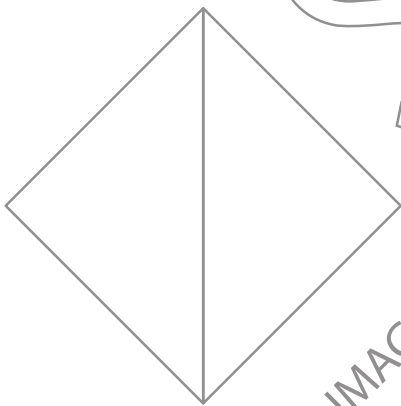
ShowTex User Manual Kabuki

Table of Contents

Introduction	03	
Safety Instructions	04	
Component	05	
Standard Assembly options	06	
Assembly	07	
1	Position all slidable pins in the same direction	07
2	Attach the hook clamps	07
3	Assemble the click profile 10cm	07
4	Attach the first brake	07
5	Attach the next break/bearing	08
6	Attach the first click profile	08
7	Repeat step 6	08
8	Join the brakes together with connection cable	09
9	Connect the first brake to the power supply cable	09
10	Connect the control unit to the power supply cable	09
11	Connect the control unit to the power source	09
12	Activate the control unit	10
13	Position the click profiles	10
14	Test the Kabuki system without the curtain attached	10
15	Attach the curtain	10
16	Test the Kabuki system with the curtain	11
17	Repeat steps 14-16	11
Care and Maintenance	12	
Trouble shooting	13	

Introduction

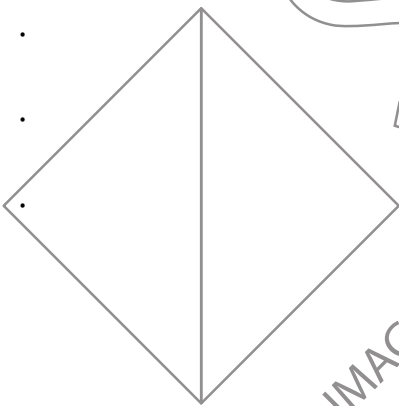
- The Kabuki-system is an easy to use electro-mechanical device used to create spectacular unveilings.
- This system was developed by ShowTex to drop lightweight fabrics, curtains, and objects in order to reveal the stage, performers, or products.
- Kabuki drop systems are used to form a complete fabric or curtain wall and drop the entire piece at once.
- It's a modular system that can be endlessly extended by simply connecting the desired length of brakes and bearings to Kabuki profiles.
- The unique design will not release curtain in the event of a power outage.



SHOWTEX
ALL IMAGES AND CONTENT OF THIS DOCUMENT ARE PROPERTY OF SHOWTEX

Safety Instructions

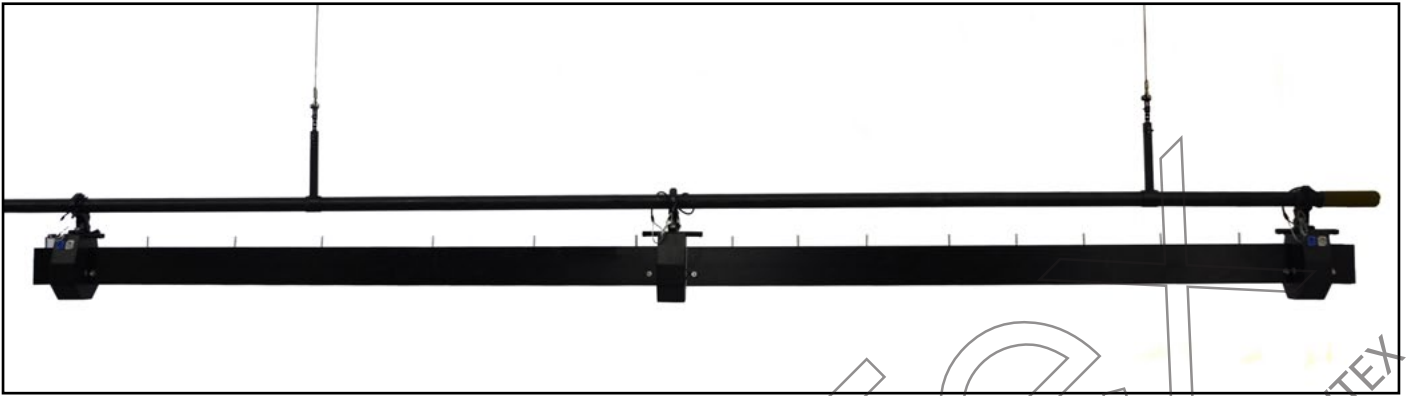
- Read this user manual carefully
- Profiles may only be used to move or carry light weight fabrics and objects (never people).
- The maximum weight capacity per brake is 30 kg. Overloading the brakes can cause damage to the system and endanger the safety of its users.
- Make sure that the area where the curtain will drop is always visible to the system operator.
- The system must be installed and activated by qualified technicians with knowledge of its capabilities and limitations.
- It is prohibited to stand under the suspended load at any time.
- The system must be installed in a dry frost free environment.
- The material to be dropped should be in good condition, checked and tested before use. Safety cables must be secured and attached in a way that they can't interfere with the system's movement.



SHOWTEX
ALL IMAGES AND CONTENT OF THIS DOCUMENT ARE PROPERTY OF SHOWTEX

Component Parts

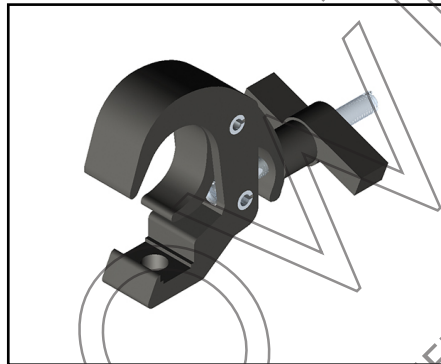
The Kabuki system consists of the following parts:



Modulair Kabuki-systeem



Click Profile



Hook Clamp 100 kg



Brake



Bearing



Slidable Pin



Power Supply Cable



Connection cable



Safety cable



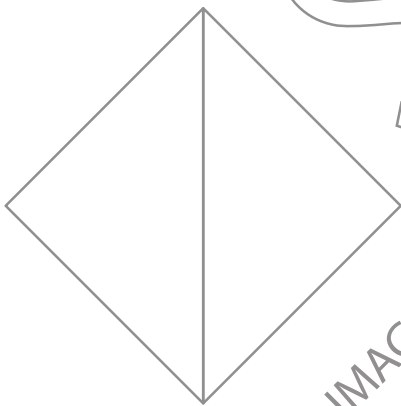
Control Unit

Component Parts

Name	Art.nr.	Colour	Weight	Information
Click profile	8150 0906 0107	■	0,18 kg/piece	Length: 10 cm
	8150 0906 1007	■	1,85 kg/piece	Length: 100 cm
	8150 0906 2007	■	3,70 kg/piece	Length: 200 cm
	8150 0906 3007	■	5,55 kg/piece	Length: 300 cm
	8150 0906 6007	■	11,10 kg/piece	Length: 600 cm
Hook Clamp	8700 0677 #	■	0,50 kg/piece	100 kg capacity
Brake	8150 0900 0007	■	8,96 kg/piece	230 V, 50 Hz, 0.2 A • Carrying capacity: 30 kg
Bearing	8150 0903 0007	■	4,20 kg/piece	
Slidable Pin	8150 0909 0005	INOX	0,02 kg/piece	
Power Supply Cable	8150 0912 0027	■	0,40 kg/piece	Length: 2 m
Connection cable	8150 0915 0077	■	0,97 kg/piece	Length: 7 m
Control Unit	8150 0950 0010	■	0,82 kg/piece	

Extra components::

- Socket wrench (nr 17) for M10 (see STEP 2)
- Extension cable (optional) (see STEP 10)

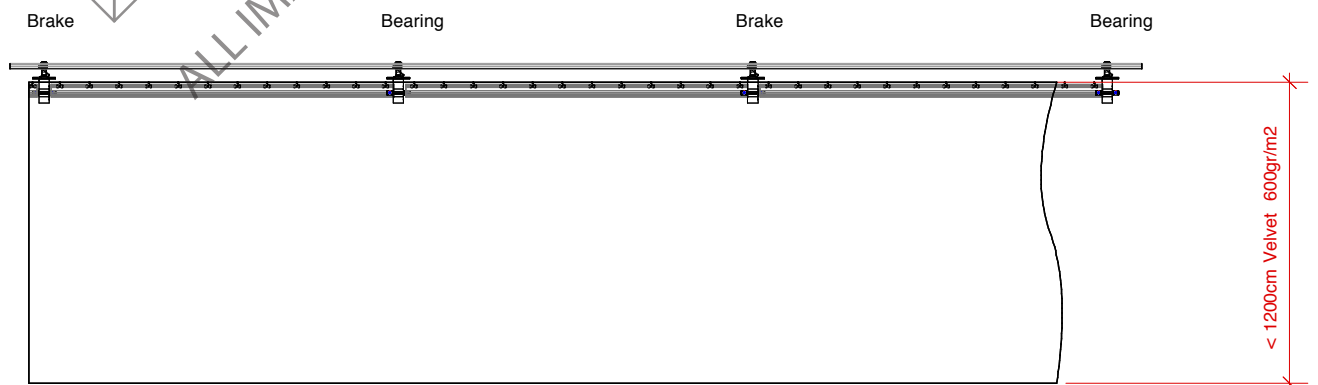
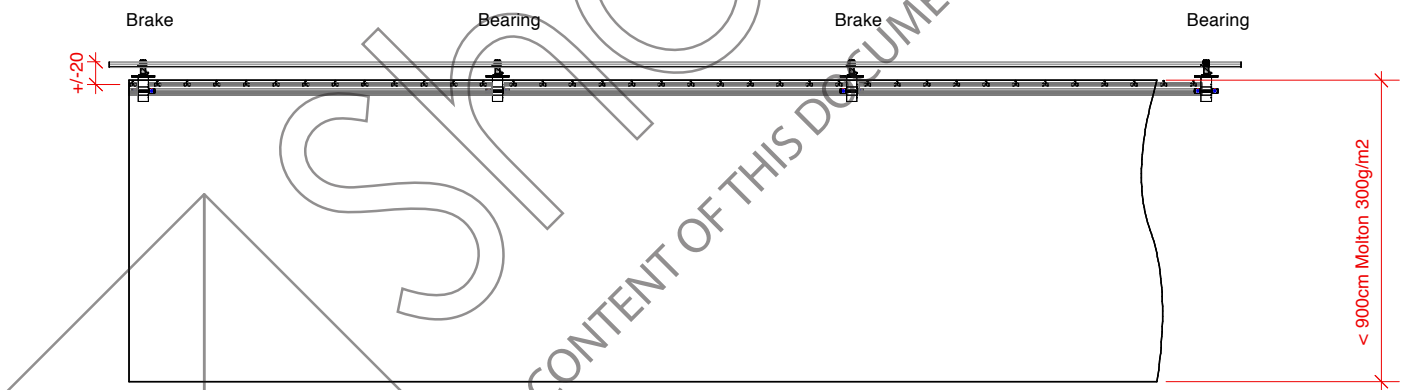
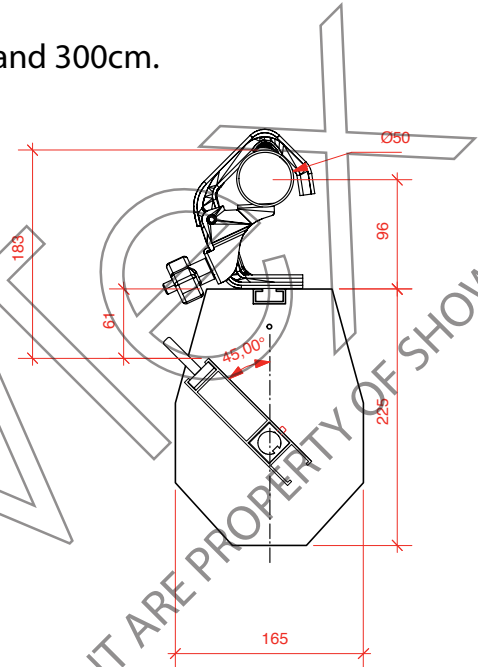
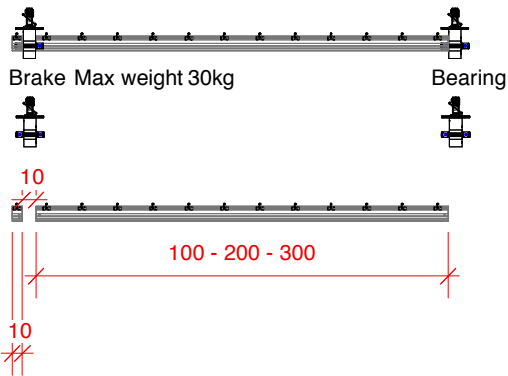


SHOWTEX

ALL IMAGES AND CONTENT OF THIS DOCUMENT ARE PROPERTY OF SHOWTEX

Standard Assembly Options

- The number of brakes and bearings and the length of the click profiles depends on the weight of the chosen fabric.
- Each brake has a weight capacity of 30kg.
- Click profiles come in three lengths: 100cm, 200cm and 300cm.



Assembly

In order for the system to operate correctly the following steps should be taken:

1 Check that all brake axes are in the same position



Make sure all brake axes are in the same position.

Verify by seeing that all safety pins are pointing in the same direction.

Connect each brake with the power supply separately. In this way, the brakes will be unblocked and the axes can be moved to the desired position.

Attention: Afterwards, disconnect the power supply cable. Prolonged tension of the brakes can cause damage to the system.

2 Attach the hook clamps

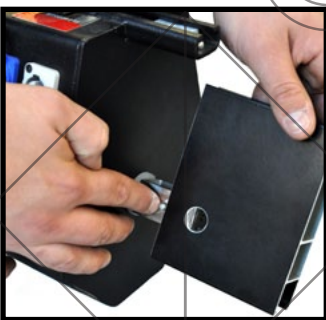


If the hook clamps are not already attached, fasten the clamp hooks in the middle of each brake and bearing. Use a socket wrench to do this. (see components parts)

Also connect the safety cable

Attention: Other types of hook clamps with bolt M10 can also be used.

3 Attach the 10 cm click profile



If the curtain is used to hide all brakes and bearings, then it's recommended to position a 10 cm click profile at the outside end of the first and last Kabuki brake position. Keep the safety pin pressed in while you do this.

In case the 10cm click profile doesn't apply, go to step 4.

4 Attach the first brake



Mount the first brake (together with the 10cm click profile) on the pipe/batten/truss.

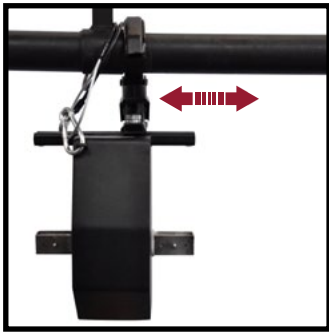
Tighten the hook clamp and attach the safety cable to the pipe/batten/truss.

Attention: Make sure the safety cable isn't hanging in the way of any movable parts of the system.

Assembly

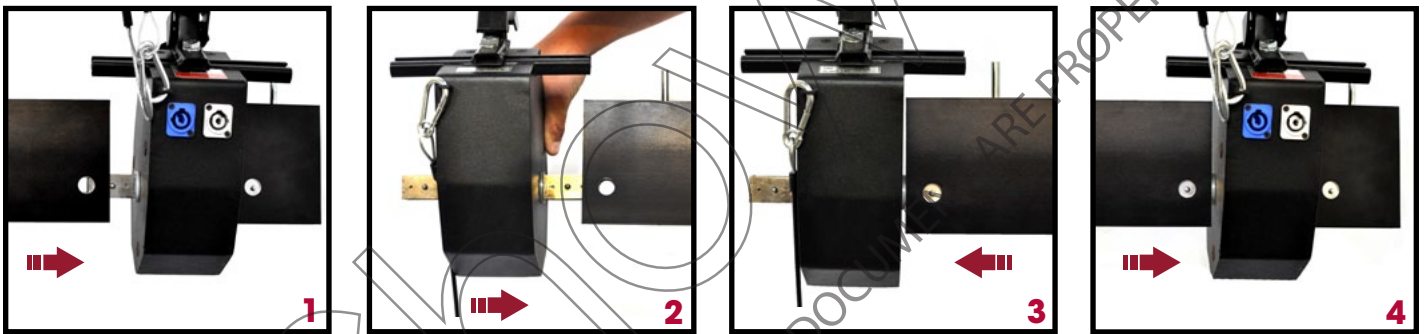
5 Attach the next brake/bearing

Next, attach the following brake/bearing to the pipe/batten/truss at the desired position, depending on the profile that is to be installed between them (1m,2m or3m).The brake or bearing should still not be tightened at this phase.



Attention: If required, reposition the hook clamp by using a socket wrench.

6 Attach the first click profile



Attention: 4 slidable pins per running meter click profile are delivered standard for mounting the curtain to the system. (see STEP 15) Depending on how the system is being used, extra pins can be used, however, it's best to add them before installing the profiles. 1 adjustable pin is provided with each 10cm click profile.

1 Assemble the first profile by supporting it on one side on the axis of the first brake. Do not slide the profile over the safety pin yet..

2 Then pull the second brake or bearing closer.

3 slide the other side of the profile over the respective axis. While doing this, keep the safety pin pressed in. (also see STEP 3)

4 When the profile is slid over the safety pin on both sides, install the hook clamp of the second brake/bearing and attach the safety cable around your pipe/batten/truss. (also see STEP 4)



Assembly

7 Repeat STEP 6

Repeat STEP 6 until all the profiles are assembled. Finish off the last profile with a brake or bearing including a click profile of 10cm. (see STEP 3)

8 Join the brakes together with connection cable

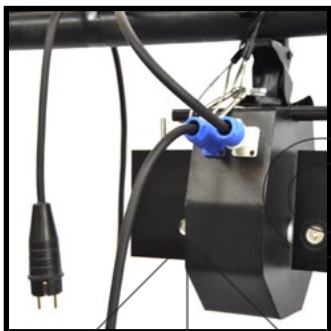
Connect the brakes together with a connection cable. When all brakes, bearings, and profiles have been correctly assembled, connect them together with a connection cable.



Attention: Fasten any extra connection cable to the pipe/batten/truss to keep it out of the way by using tape, cable fasteners, or back to back Velcro.

Attention: The connection cables have a maximum length of 7m. Make sure that the brakes are never installed further apart than 7m. Link cables longer than 7m are available on request.

9 Connect the first brake to the power supply cable



Next, connect the first brake to the power supply cable.

10 Connect the control unit to the power supply cable



Next, connect the control unit to the power supply cable.

Attention: This cable is maximum 3m long. If necessary, plan on using an extension cord (not included), depending on the desired height of the Kabuki system.

Assembly

11 Connect the control unit to the power source



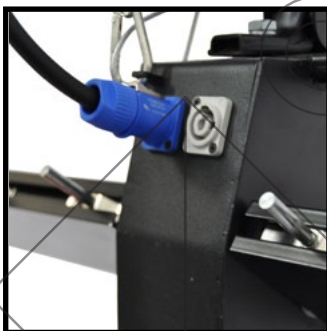
Next, connect the control unit to the power source (220V; 0,2 A).

12 Activate the control unit



The standard setting of the switch is OFF. Switch to ON to activate the control unit. The green DROP switch will then light up.

13 Position the click profiles



While keeping the DROP button pressed in, position the click profiles at a 45° angle facing upwards. When the profiles are in the desired position, release the DROP button. The brakes will then lock in place.

Attention: Make sure the outer edges of the profiles match the frames of the brakes and bearings.

14 Test the Kabuki system WITHOUT the curtain attached



Test the Kabuki system before installing the curtain by pressing in the DROP button. Check that the system is free and that no obstacles are in the way to block profile movement.

Assembly

15 Attach the curtain



Attach the curtain to the slidable pins.

Attention: Begin installation of the curtain at the outmost click profile measuring 10 cm if applicable to cover all brakes and bearings.

16 Test the Kabuki system WITH the curtain



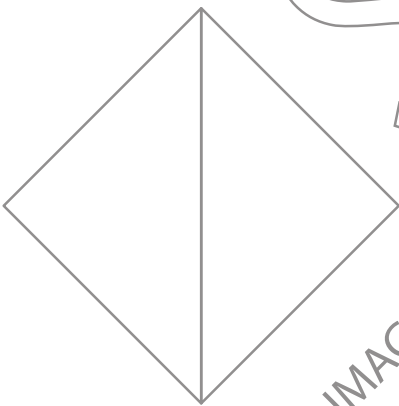
Next, test the Kabuki system with the curtain attached by pressing the DROP button.

17 Repeat steps 14 - 16

Please repeat steps 14-16 before every show!

Care and Maintenance

- The Kabuki system has components that must be regularly checked, maintained, and replaced in order to ensure safety and keep it in good condition.
- The best way to maintain the Kabuki system is to use it often. Each mechanical part should be used at least once a week. In this way, residue and dirt can't collect in the bearings and irregular noises can be discovered in time.
- More frequent maintenance is recommended in case of frequent use or in case the system is installed in a space with a high degree of moisture, dust, or differences in temperature.
- When necessary, disassemble the system in the same way it was installed.



SHOWTEX
ALL IMAGES AND CONTENT OF THIS DOCUMENT ARE PROPERTY OF SHOWTEX

Trouble Shooting

What to do if the system stops working?

- Verify that the system is correctly connected to the power supply.
- Verify that all cables are connected to the correct outlets and that none of them are damaged.

What to do if the curtain doesn't drop?

- Verify that the curtain can't get stuck on any part of the system.
- Check that the curtain isn't too tightly tensioned on the system (in case the adjustable pins are too far apart). In this case, lightweight fabrics will not drop correctly or at all.
- Verify that the profiles can't get caught on cables or light equipment.

For more technical assistance please contact your local ShowTex office.
(see back cover of manual)



HAVE A GREAT SHOW!



showTex
ALL IMAGES AND CONTENT OF THIS DOCUMENT ARE PROPERTY OF SHOWTEX