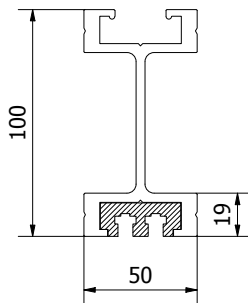


ChainTrack is the perfect combination of reliable precision movement and track durability.

#### » TRACK DIMENSIONS (MM)

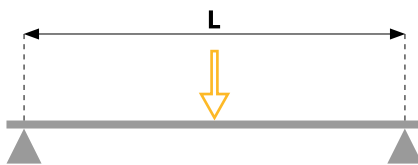


Track weight	3.24 kg/m
Track section max length	6 m
Minimum radius	0.30m

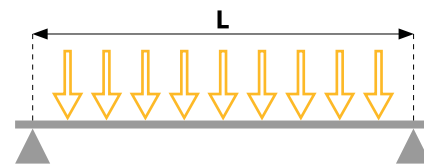
#### » SPECIFICATIONS

- The profile allows for double chain installation when curtains need to move in two different directions (left and right)
- Rails are available in straight lengths or curved to your specifications.
- A ChainTrack system can be operated with our CTD motor range.
- Different types of runners are available to answer a broad range of possible needs, including ball raced runners, scenery carriers, master carriers and overlap carriers.

#### » LOAD CAPACITY TRACK



L (m)	Point load (kg)
1.5	250 kg
2	150 kg
3	100 kg

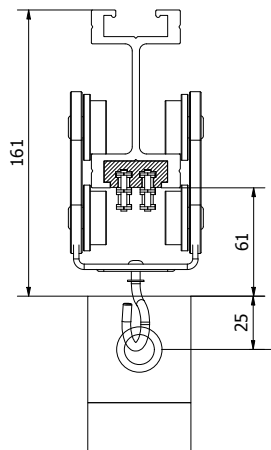


L (m)	Uniformly distributed load (kg/m) • total resulting load (kg)
1.5	233 kg/m • 350 kg
2	88 kg/m • 220 kg
3	67 kg/m • 200 kg

! The distance between two supports should not exceed 3 m

The stated load capacities apply to the rail only. The load bearing capacity of the carrying construction (ceiling/truss/...) and all individual mounting accessories must be taken into account as well.

» **TRACK DIMENSIONS ACCORDING TO CURTAIN SIZE (MM)**

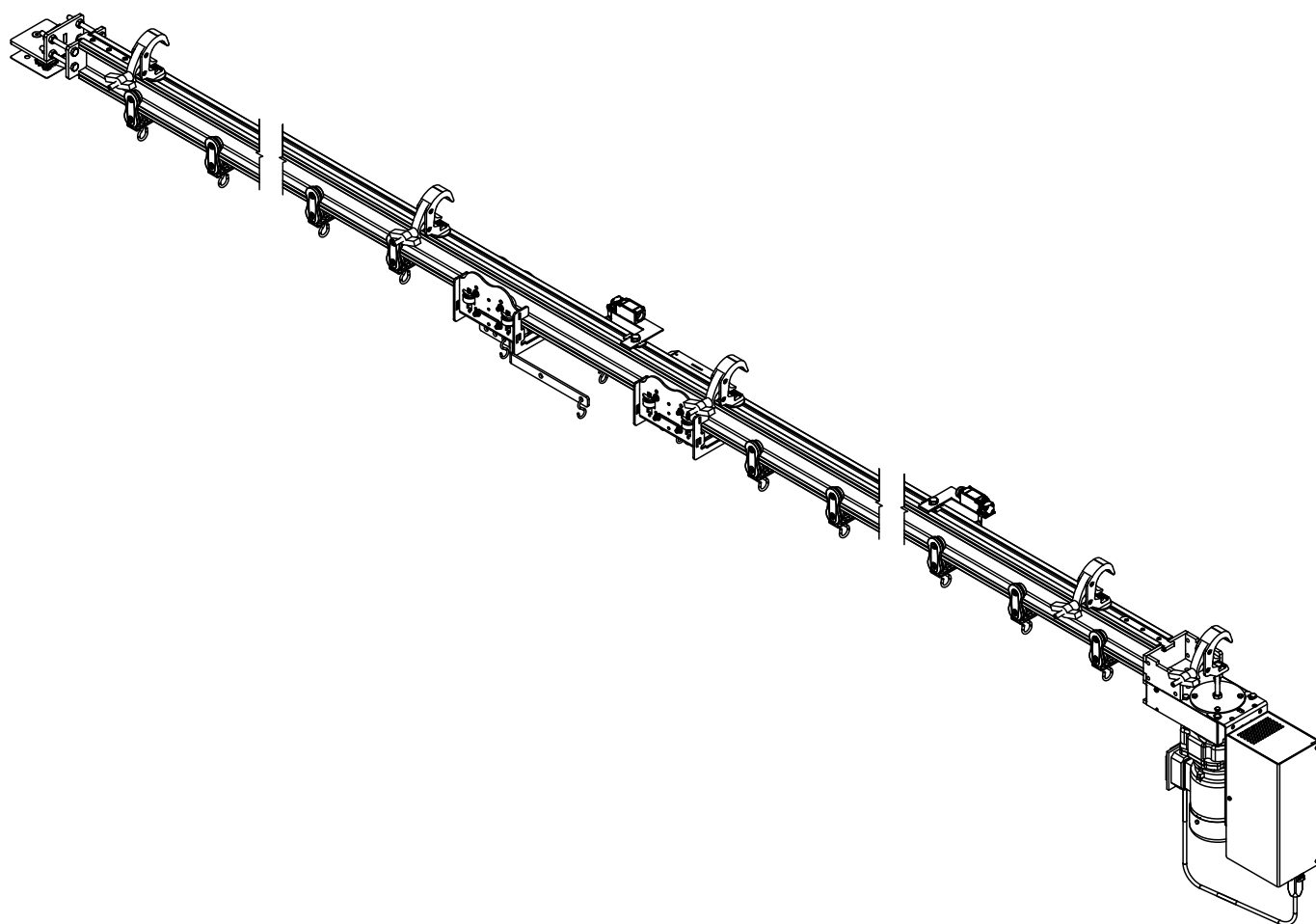


\* standard distance for grommet

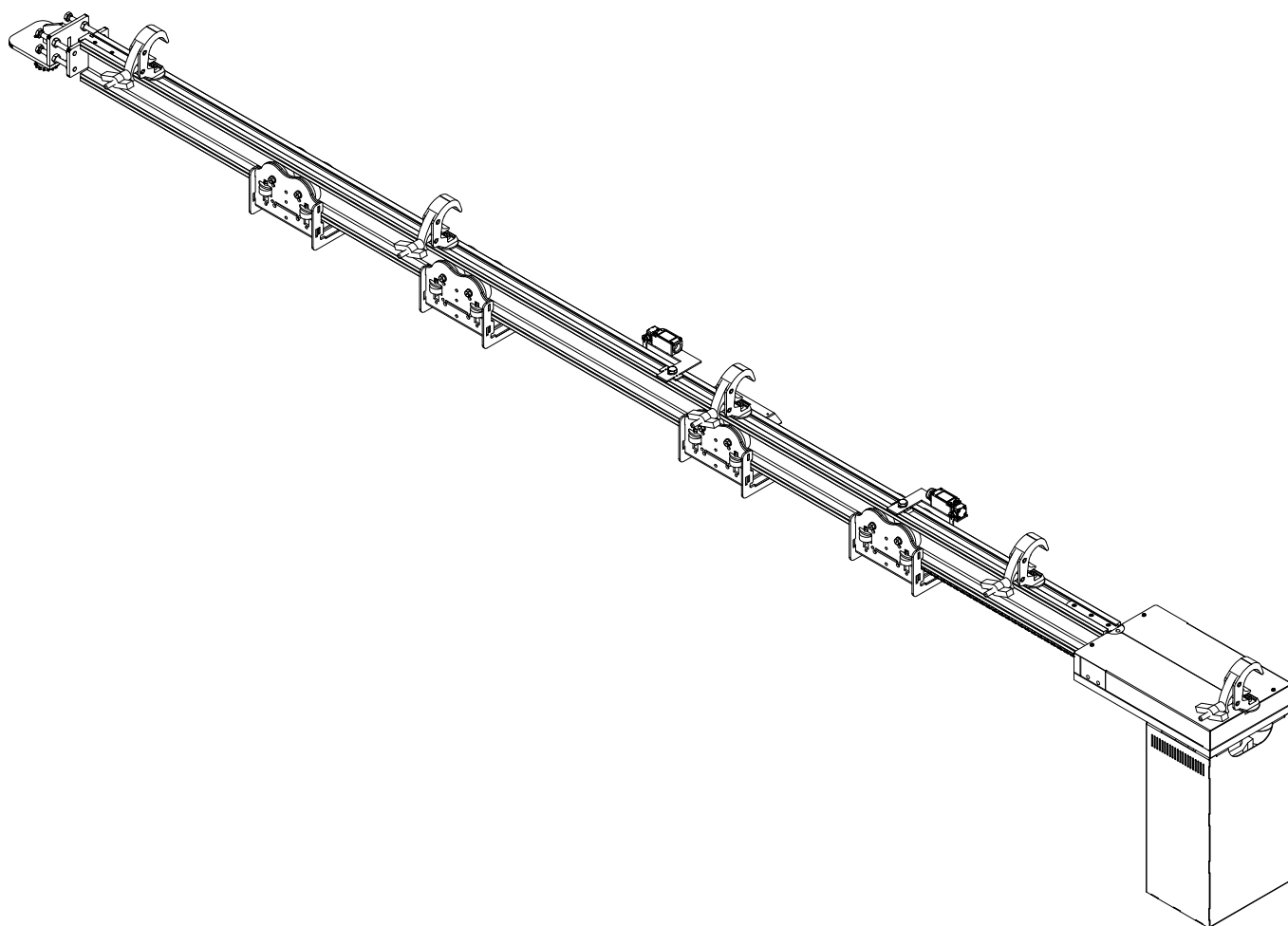
» **RUNNER INFORMATION**

Name	Article code	SWL	MIN. RADIUS OF BENDED RAIL
Ball raced runner	8070 0209 0257	25 kg	300 mm
Scenery carrier	8070 0230 1037	100 kg	500 mm
	8075 0230 3507	350 kg	500 mm
Quick release runner	8070 0230 1067	100 kg	6000 mm
	8070 0230 3537	350 kg	6000 mm

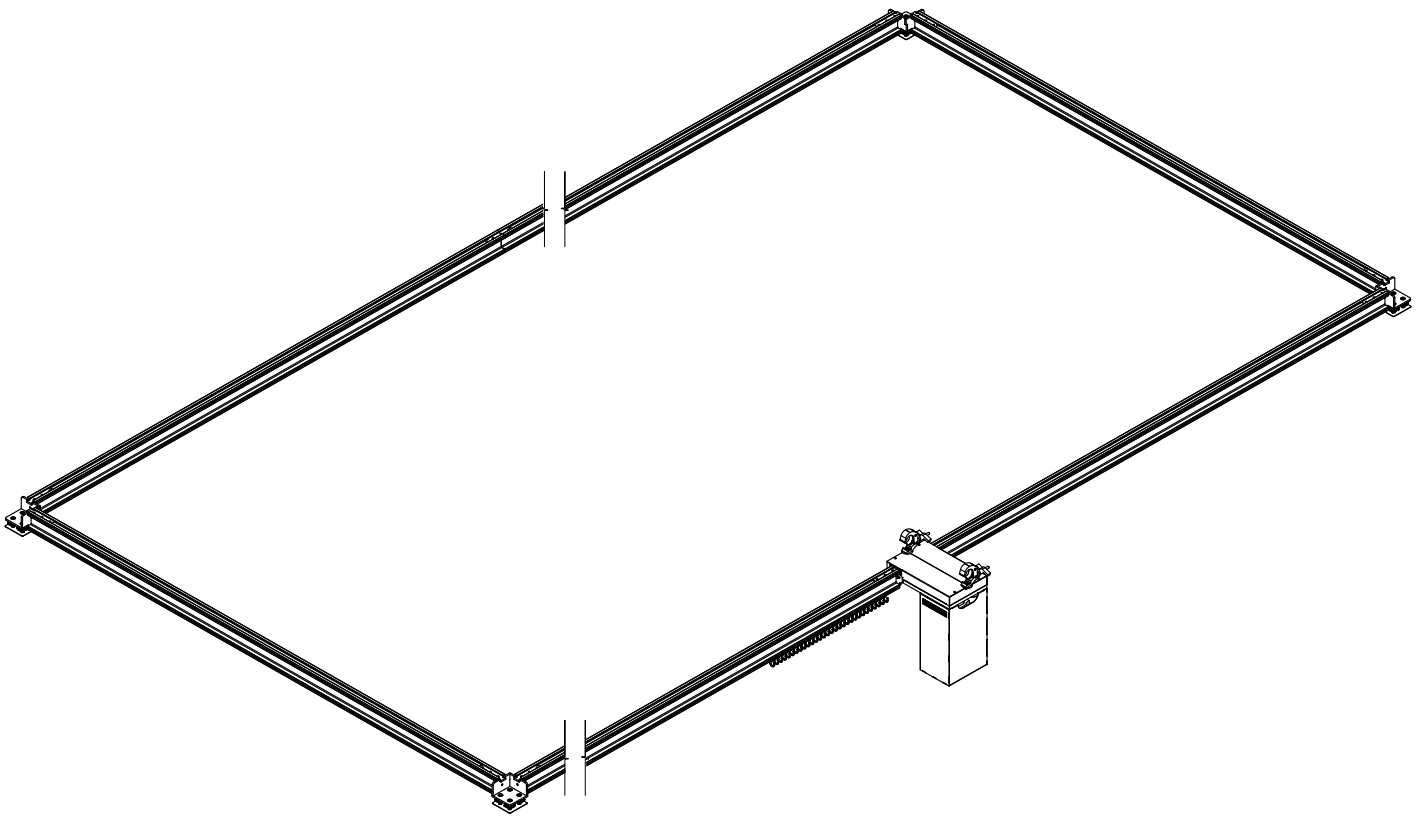
» ChainTrack + CTD 1500



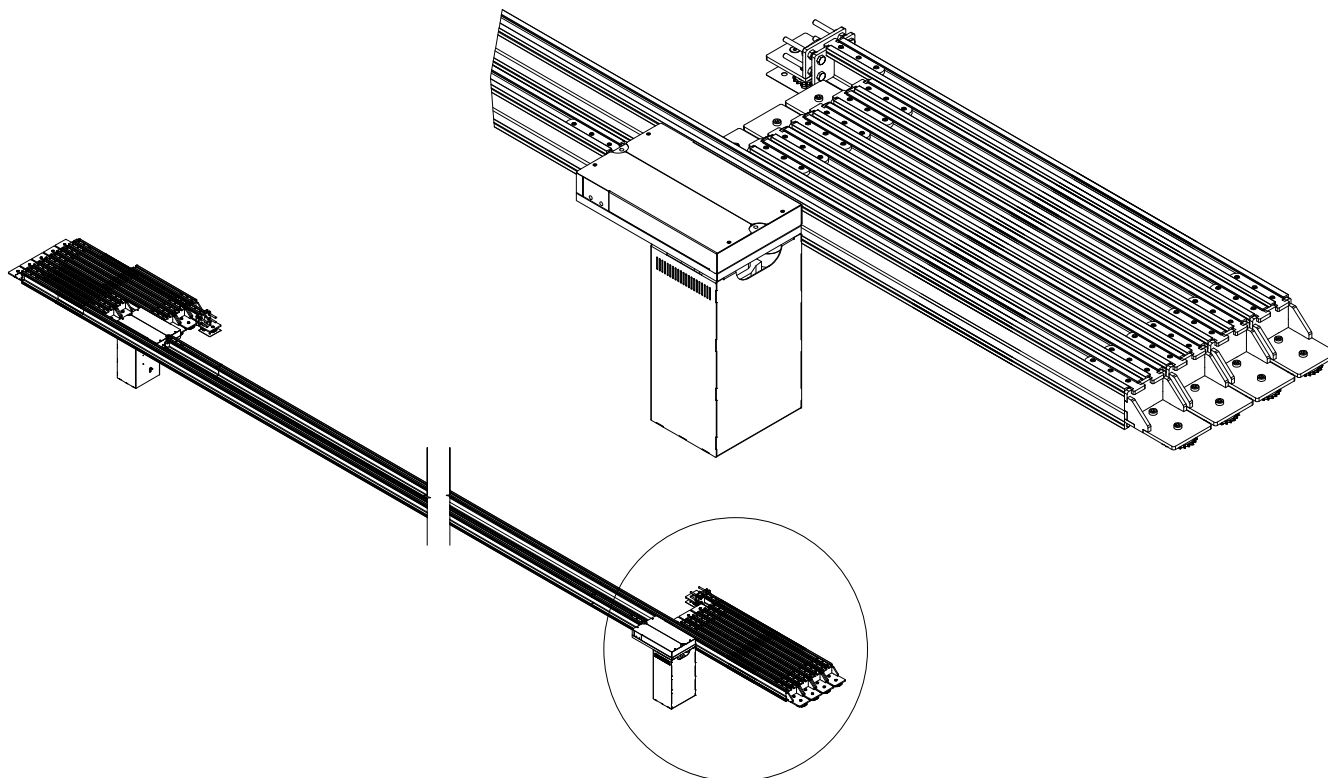
» **ChainTrack + CTD 6000**



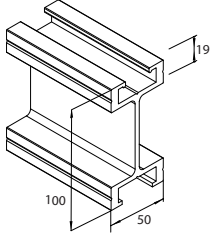
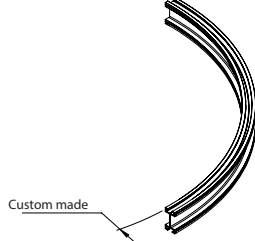
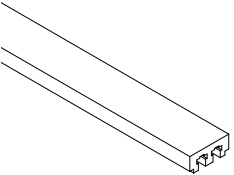
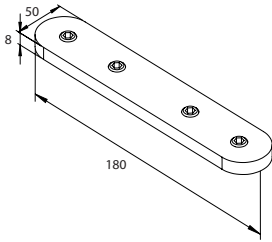
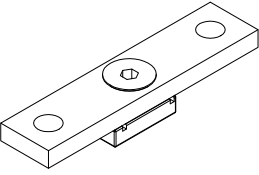
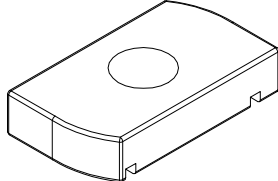
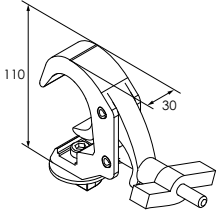
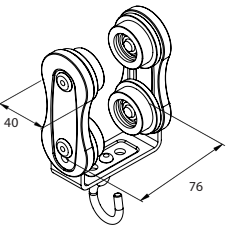
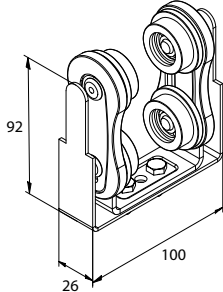
» **ChainTrack - Curtain directly connected to chain - loop version**

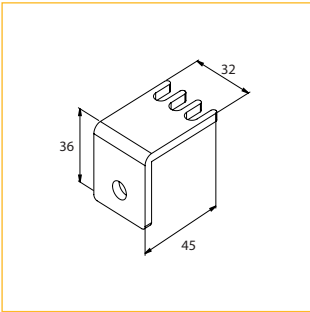


» **ChainTrack - Storage version - Curtain directly connected to the chain**

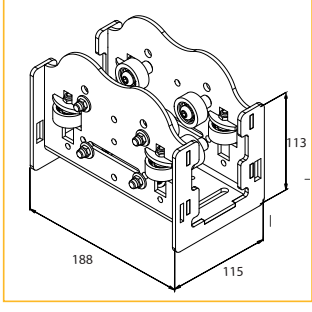


» COMPONENTS: (mm)

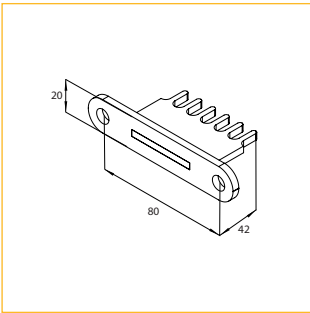
	<table border="1"> <thead> <tr> <th colspan="2">Track (6m)</th> </tr> <tr> <th>Article code</th> <th>Colour</th> </tr> </thead> <tbody> <tr> <td>8080 0001 6007</td> <td>Black</td> </tr> <tr> <th>Info</th> <th>Weight</th> </tr> <tr> <td></td> <td>3.24 kg/m</td> </tr> </tbody> </table>	Track (6m)		Article code	Colour	8080 0001 6007	Black	Info	Weight		3.24 kg/m		<table border="1"> <thead> <tr> <th colspan="2">Curved Track</th> </tr> <tr> <th>Article code</th> <th>Colour</th> </tr> </thead> <tbody> <tr> <td>8080 0001 6907</td> <td>Black</td> </tr> <tr> <th>Info</th> <th>Weight</th> </tr> <tr> <td></td> <td>3.24 kg/m</td> </tr> </tbody> </table>	Curved Track		Article code	Colour	8080 0001 6907	Black	Info	Weight		3.24 kg/m
Track (6m)																							
Article code	Colour																						
8080 0001 6007	Black																						
Info	Weight																						
	3.24 kg/m																						
Curved Track																							
Article code	Colour																						
8080 0001 6907	Black																						
Info	Weight																						
	3.24 kg/m																						
	<table border="1"> <thead> <tr> <th colspan="2">Sliding Profile</th> </tr> <tr> <th>Article code</th> <th>Colour</th> </tr> </thead> <tbody> <tr> <td>8080 0020 0069</td> <td>Green</td> </tr> <tr> <th>Info</th> <th>Weight</th> </tr> <tr> <td></td> <td>0.27 kg/pc</td> </tr> </tbody> </table>	Sliding Profile		Article code	Colour	8080 0020 0069	Green	Info	Weight		0.27 kg/pc		<table border="1"> <thead> <tr> <th colspan="2">Joiner Plate (2 pieces)</th> </tr> <tr> <th>Article code</th> <th>Colour</th> </tr> </thead> <tbody> <tr> <td>8075 0042 1807</td> <td>Black</td> </tr> <tr> <th>Info</th> <th>Weight</th> </tr> <tr> <td></td> <td>0.74 kg/pc</td> </tr> </tbody> </table>	Joiner Plate (2 pieces)		Article code	Colour	8075 0042 1807	Black	Info	Weight		0.74 kg/pc
Sliding Profile																							
Article code	Colour																						
8080 0020 0069	Green																						
Info	Weight																						
	0.27 kg/pc																						
Joiner Plate (2 pieces)																							
Article code	Colour																						
8075 0042 1807	Black																						
Info	Weight																						
	0.74 kg/pc																						
	<table border="1"> <thead> <tr> <th colspan="2">Ceiling bracket + Channel nut M10</th> </tr> <tr> <th>Article code</th> <th>Colour</th> </tr> </thead> <tbody> <tr> <td>8075 0110 0007</td> <td>Black</td> </tr> <tr> <th>Info</th> <th>Weight</th> </tr> <tr> <td></td> <td>0.18 kg/pc</td> </tr> </tbody> </table>	Ceiling bracket + Channel nut M10		Article code	Colour	8075 0110 0007	Black	Info	Weight		0.18 kg/pc		<table border="1"> <thead> <tr> <th colspan="2">Channel Nut M10</th> </tr> <tr> <th>Article code</th> <th>Colour</th> </tr> </thead> <tbody> <tr> <td>8700 9224 0101</td> <td>Galvanized</td> </tr> <tr> <th>Info</th> <th>Weight</th> </tr> <tr> <td></td> <td>0.18 kg/pc</td> </tr> </tbody> </table>	Channel Nut M10		Article code	Colour	8700 9224 0101	Galvanized	Info	Weight		0.18 kg/pc
Ceiling bracket + Channel nut M10																							
Article code	Colour																						
8075 0110 0007	Black																						
Info	Weight																						
	0.18 kg/pc																						
Channel Nut M10																							
Article code	Colour																						
8700 9224 0101	Galvanized																						
Info	Weight																						
	0.18 kg/pc																						
	<table border="1"> <thead> <tr> <th colspan="2">Hook Clamp (100kg)</th> </tr> <tr> <th>Article code</th> <th>Colour</th> </tr> </thead> <tbody> <tr> <td>8080 0680 0007</td> <td>Black</td> </tr> <tr> <th>Info</th> <th>Weight</th> </tr> <tr> <td></td> <td>1.22 kg/pc</td> </tr> </tbody> </table>	Hook Clamp (100kg)		Article code	Colour	8080 0680 0007	Black	Info	Weight		1.22 kg/pc												
Hook Clamp (100kg)																							
Article code	Colour																						
8080 0680 0007	Black																						
Info	Weight																						
	1.22 kg/pc																						
	<table border="1"> <thead> <tr> <th colspan="2">Ball Raced Runner</th> </tr> <tr> <th>Article code</th> <th>Colour</th> </tr> </thead> <tbody> <tr> <td>8070 0209 0257</td> <td>Black</td> </tr> <tr> <th>Info</th> <th>Weight</th> </tr> <tr> <td></td> <td>0.28 kg/pc</td> </tr> </tbody> </table>	Ball Raced Runner		Article code	Colour	8070 0209 0257	Black	Info	Weight		0.28 kg/pc		<table border="1"> <thead> <tr> <th colspan="2">Ball Raced Runner + Acoustic Hanger</th> </tr> <tr> <th>Article code</th> <th>Colour</th> </tr> </thead> <tbody> <tr> <td>8075 0209 0017</td> <td>Black</td> </tr> <tr> <th>Info</th> <th>Weight</th> </tr> <tr> <td>15 kg</td> <td>0.30 kg/piece</td> </tr> </tbody> </table>	Ball Raced Runner + Acoustic Hanger		Article code	Colour	8075 0209 0017	Black	Info	Weight	15 kg	0.30 kg/piece
Ball Raced Runner																							
Article code	Colour																						
8070 0209 0257	Black																						
Info	Weight																						
	0.28 kg/pc																						
Ball Raced Runner + Acoustic Hanger																							
Article code	Colour																						
8075 0209 0017	Black																						
Info	Weight																						
15 kg	0.30 kg/piece																						



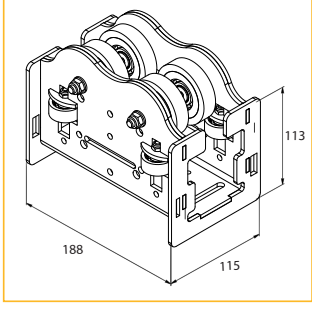
Runner Chain Link (100 kg)	
<b>Article code</b>	<b>Colour</b>
8080 0041 0397	Black
<b>Info</b>	<b>Weight</b>
	0.60 kg/pc



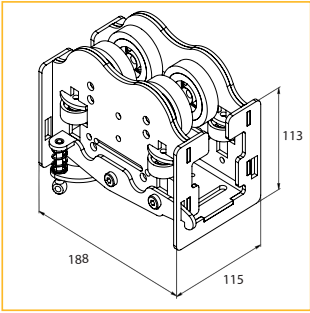
Scenery Carrier (100 kg)	
<b>Article code</b>	<b>Colour</b>
8070 0230 1037	Black
<b>Info</b>	<b>Weight</b>
	2.32 kg/pc



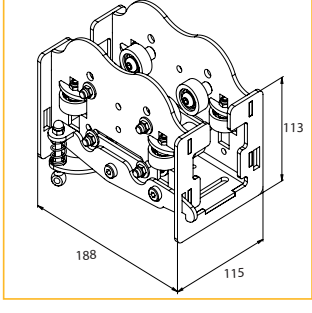
Runner Chain Link (350 kg)	
<b>Article code</b>	<b>Colour</b>
8080 0041 0387	Black
<b>Info</b>	<b>Weight</b>
for bends custom modifications are needed	0.18 kg/pc



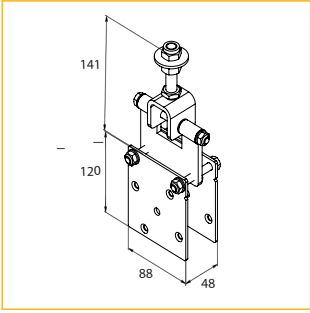
Scenery Carrier (350 kg)	
<b>Article code</b>	<b>Colour</b>
8075 0230 3507	Black
<b>Info</b>	<b>Weight</b>
	3.70 kg/pc



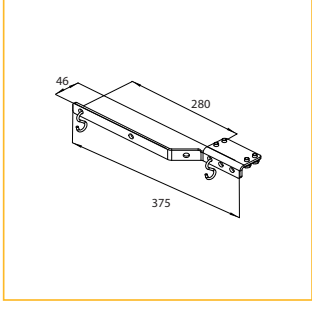
Quick Release Runner (350 kg)	
<b>Article code</b>	<b>Colour</b>
8075 0230 3537	Black
<b>Info</b>	<b>Weight</b>
	3.70 kg/pc



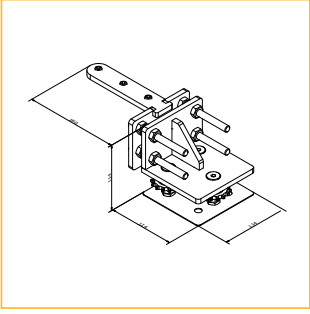
Quick Release Runner (100 kg)	
<b>Article code</b>	<b>Colour</b>
8070 0230 1067	Black
<b>Info</b>	<b>Weight</b>
for bends custom modifications are needed	3.70 kg/pc



Scenery Hanger	
<b>Article code</b>	<b>Colour</b>
8070 0235 0507	Black
<b>Info</b>	<b>Weight</b>
	0.60 kg/pc

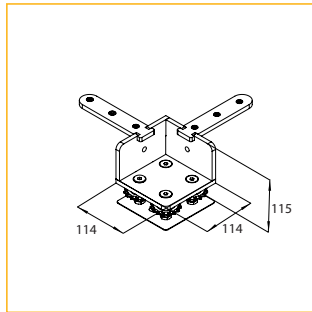


Overlap Arm Set (2 pieces)	
<b>Article code</b>	<b>Colour</b>
8070 0241 0017	Black
<b>Info</b>	<b>Weight</b>
	0.60 kg/pc

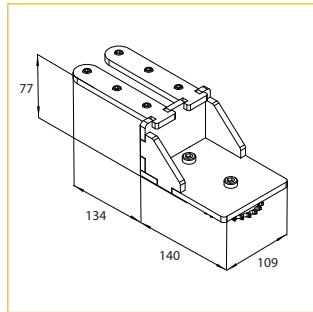


Return Pulley	
<b>Article code</b>	<b>Colour</b>
8080 0485 0027	Black
<b>Info</b>	<b>Weight</b>
	1.81 kg/pc

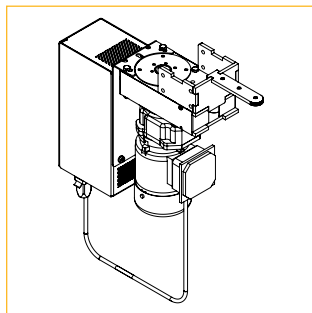




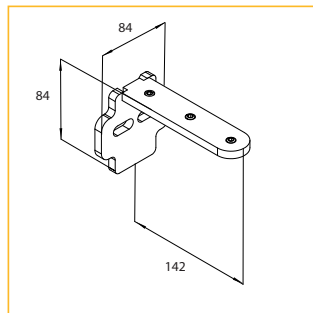
<b>CT Corner 90°</b>	
<b>Article code</b>	<b>Colour</b>
8080 0480 0157	Black
<b>Info</b>	<b>Weight</b>
	1.38 kg/pc



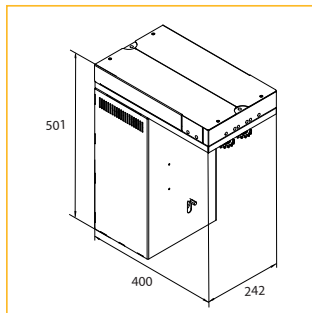
<b>CT2W Corner 180°</b>	
<b>Article code</b>	<b>Colour</b>
8080 0480 0257	Black
<b>Info</b>	<b>Weight</b>
	1.73 kg/pc



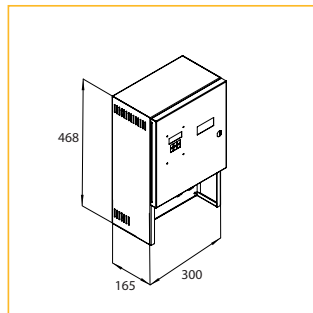
<b>CTD 1500</b>	
<b>Article code</b>	<b>Colour</b>
8080 0713 1507	Black
<b>Info</b>	<b>Weight</b>
120W • 3 x 230 VAC • 2.2A	11.8 kg/pc



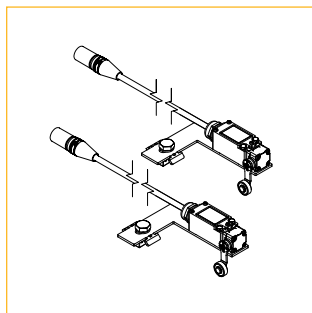
<b>CT Motor-Track Link</b>	
<b>Article code</b>	<b>Colour</b>
8080 0486 0027	Black
<b>Info</b>	<b>Weight</b>
	0.48 kg/pc



<b>CTD 6000</b>	
<b>Article code</b>	<b>Colour</b>
8080 0702 7507	Black
<b>Info</b>	<b>Weight</b>
750W • 1 x 230 VAC • 3.7A	52 kg/pc



<b>ControlBox CTD 6000</b>	
<b>Article code</b>	<b>Colour</b>
8080 0750 7507	black
<b>Info</b>	<b>Weight</b>
	11.60 kg/pc



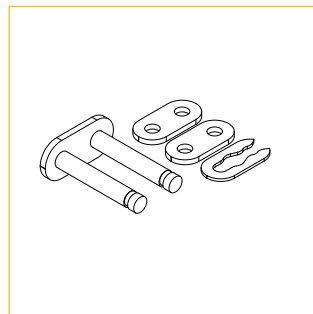
<b>Limit Switch Set CTD 1500</b>	
<b>Article code</b>	<b>Colour</b>
8050 0770 0013	Black
<b>Info</b>	<b>Weight</b>
	0.85 kg/pc



<b>Limit Switch Set CTD 6000</b>	
<b>Article code</b>	<b>Colour</b>
8050 0770 0015	Black
<b>Info</b>	<b>Weight</b>
	0.37 kg/pc



<b>Chain</b>	
<b>Article code</b>	<b>Colour</b>
8080 0355 0000	Black
<b>Info</b>	<b>Weight</b>
	0.04 kg/m



<b>Chain Lock</b>	
<b>Article code</b>	<b>Colour</b>
8080 0365 0000	Black
<b>Info</b>	<b>Weight</b>
	0.54 kg/pc

**HAVE A GREAT SHOW!**  
MORE INFO ON [WWW.SHOWTEX.COM](http://WWW.SHOWTEX.COM)