

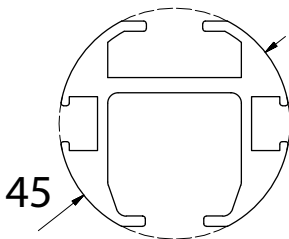
## SHOWPIPE

## TECHNICAL DATA SHEET

March 2024

The ShowPipe is a sturdier, aluminum version of the H100 track.

### » TRACK DIMENSIONS (MM)



Track weight	1.31 kg/m
Track section max length	6 m
Curved track min radius	0.45 m

### » SPECIFICATIONS

ShowPipe is a black anodized extruded aluminum track based on the geometry of the H100. It was designed to slide into our 50 mm aluminum construction tubes. The rails are anodized.

Rails are available in straight lengths or corners of customizable radii. Couplers are available to couple straight as well as curved rails.

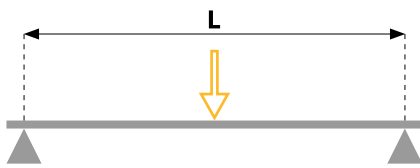
Mounting of the profile can be done with any channel nut or bolt that matches the size of the top channel.

A ShowPipe system can be operated:

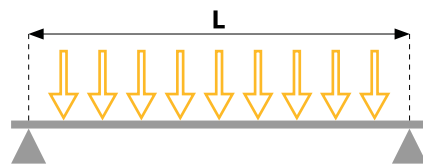
- Manually: walking along the track or through rope-operation.
- Automatically: through motor operation with the Rope Drive motors.

Different types of runners are available to answer a broad range of possible needs, including ball raced runners, scenery carriers, master carriers with brakes and overlap carriers.

### » LOAD CAPACITY TRACK



L (m)	Point load (kg)
1	135 kg
2	68 kg
3	49 kg

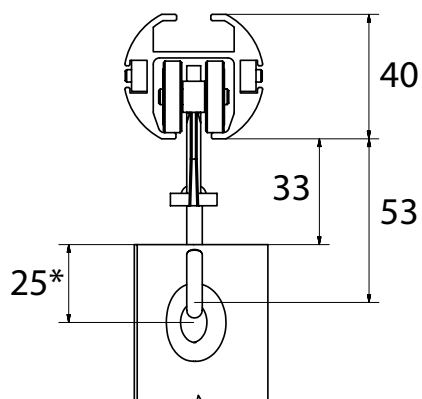


L (m)	Uniformly distributed load (kg/m) • total resulting load (kg)
1	210 kg/m • 210 kg
2	60 kg/m • 120 kg
3	30 kg/m • 90 kg

**!** The stated load capacities apply to the rail only. The load bearing capacity of the carrying construction (ceiling/truss/...) and all individual mounting accessories must be taken into account as well.

Load capacities have been calculated using Safety Factor 2. Apply the required Safety factor according to the standards pertaining to your application.

» TRACK DIMENSIONS ACCORDING TO CURTAIN SIZE (MM)

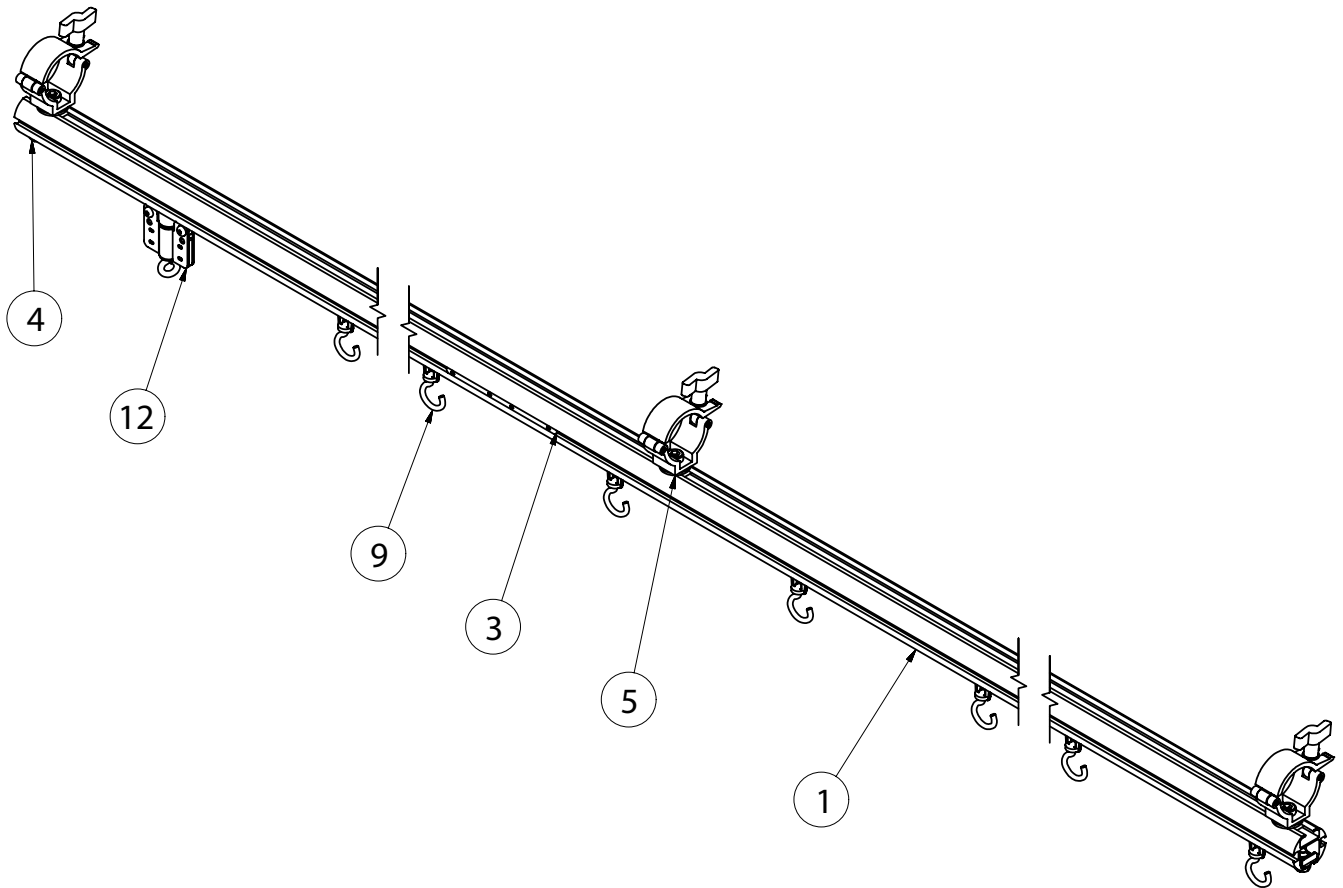


\* standard distance for grommet

» RUNNER INFORMATION

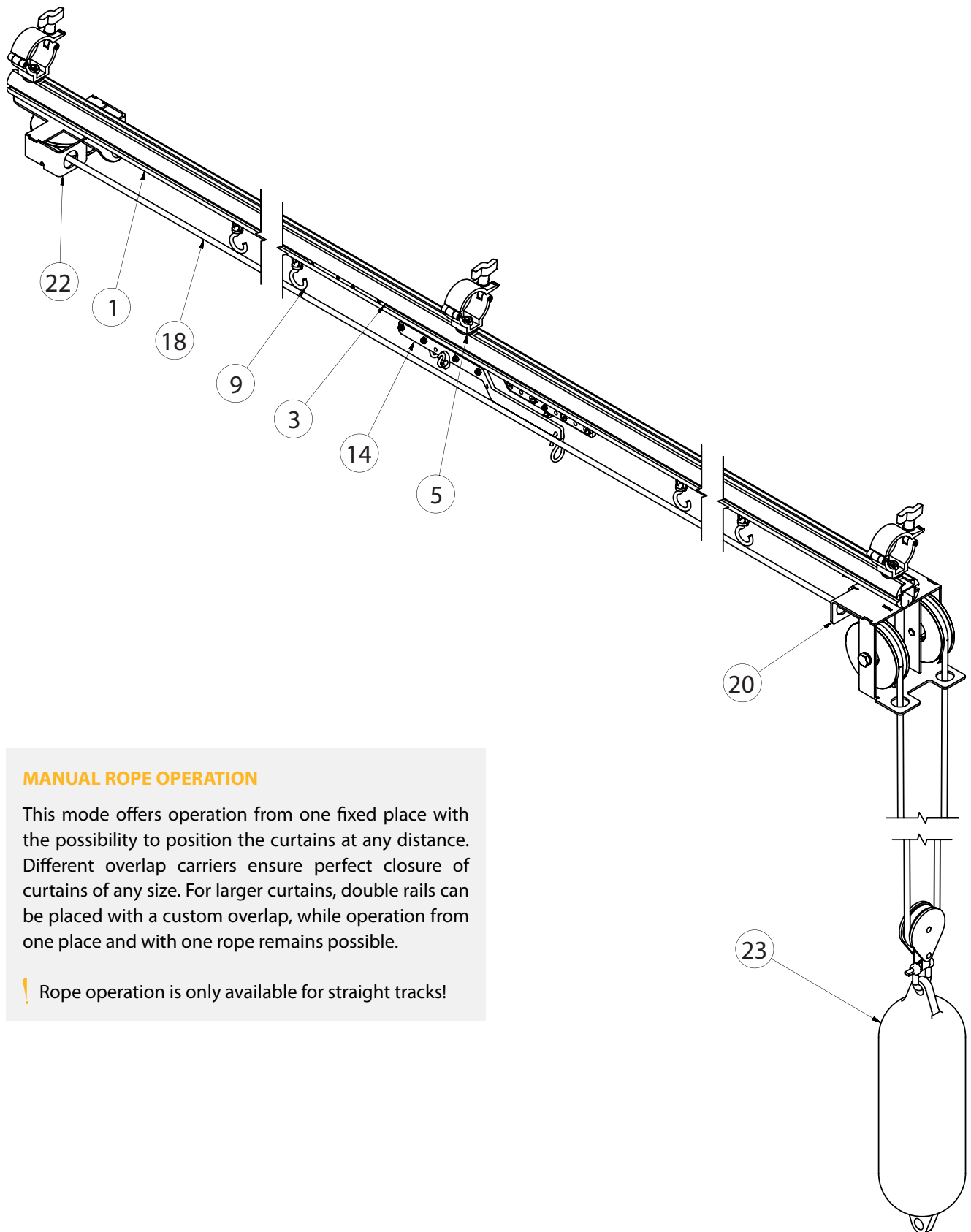
Name	Article code	SWL	MIN. RADIUS OF BENDED RAIL
Ball raced runner	8050 0205 0087	8 kg	450 mm
Master carrier	8050 0221 0167	15 kg	450 mm
Scenery carrier	8050 0230 0302	60 kg	450 mm
Master carrier with brake	8050 0221 0197	15 kg	450 mm
Short overlap carrier	8050 0245 0057	15 kg	450 mm
Long overlap carrier set	8050 0246 0167	15 kg	2000 mm
Master carrier for motor control	8050 0228 0167	15 kg	n.a.
Short overlap carrier for motor control	8050 0245 1057	15 kg	n.a.
Long overlap carrier set for motor control	8050 0246 1167	15 kg	n.a.

» **ASSEMBLIES**



**WALK-ALONG OPERATION**

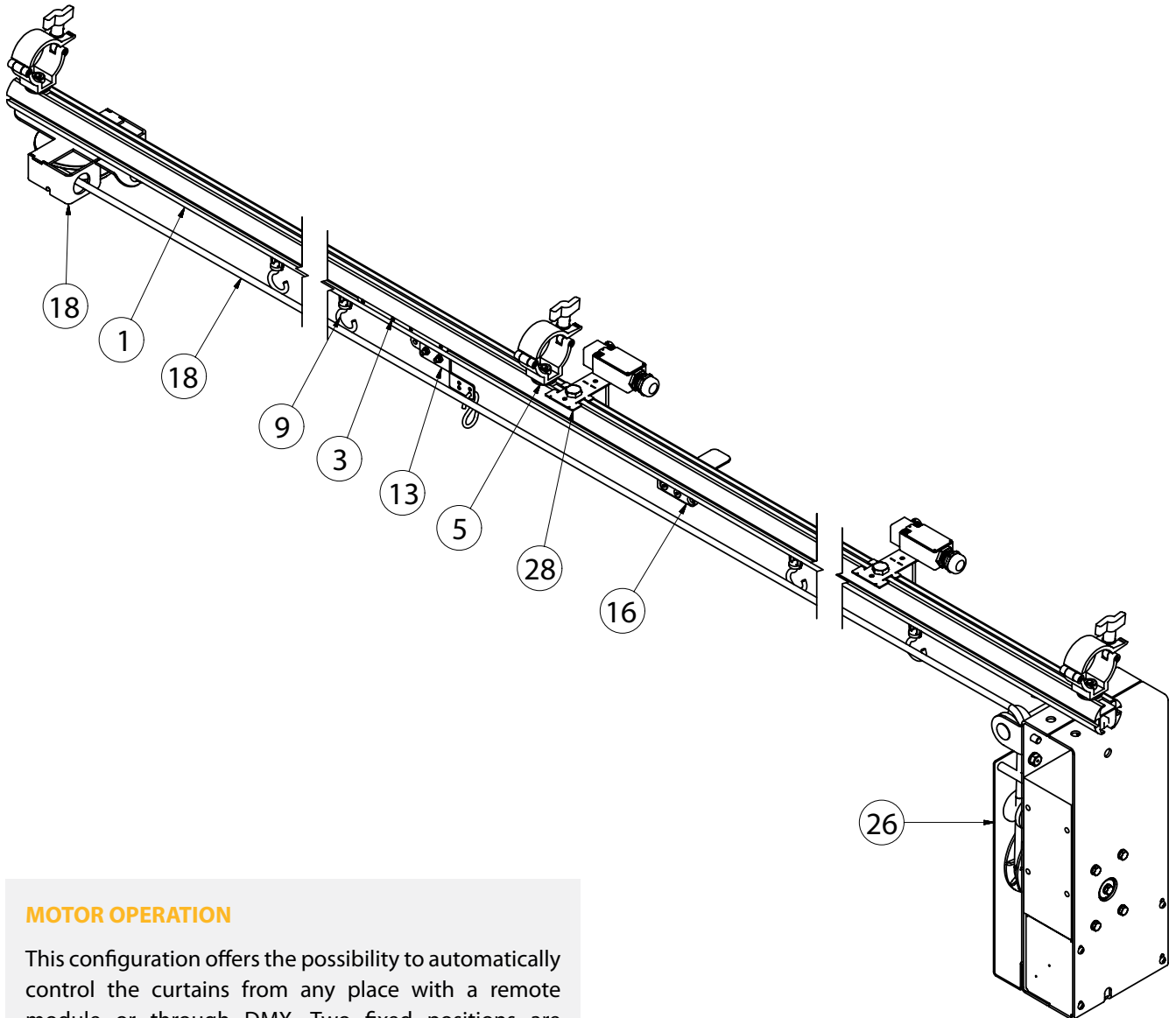
This is the most basic installation of the ShowPipe system. The curtain is pulled along the rail to its required position. Optional braked master carriers make manual positioning more accurate.



### MANUAL ROPE OPERATION

This mode offers operation from one fixed place with the possibility to position the curtains at any distance. Different overlap carriers ensure perfect closure of curtains of any size. For larger curtains, double rails can be placed with a custom overlap, while operation from one place and with one rope remains possible.

! Rope operation is only available for straight tracks!

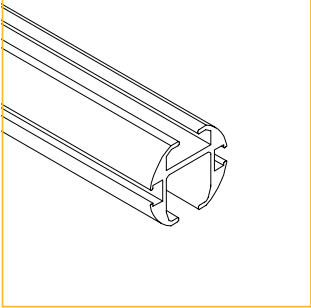
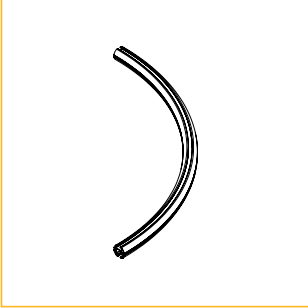
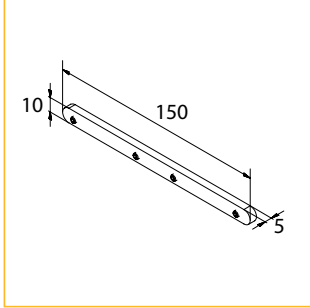
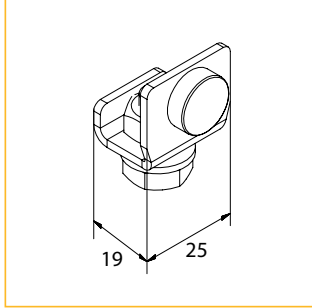
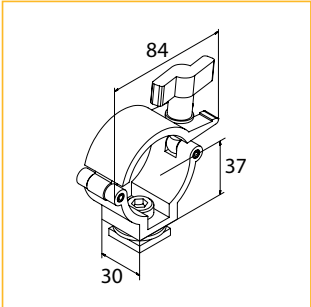
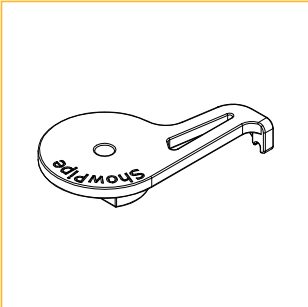
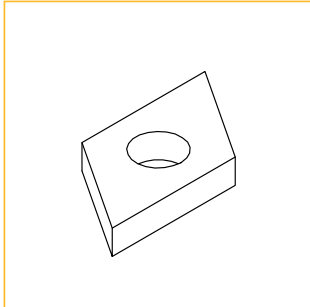
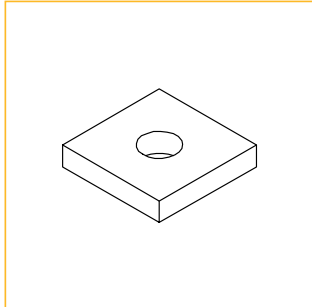
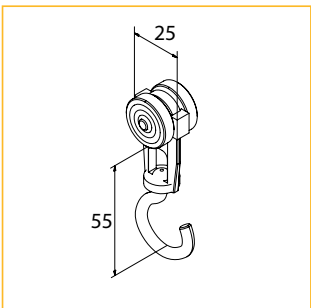
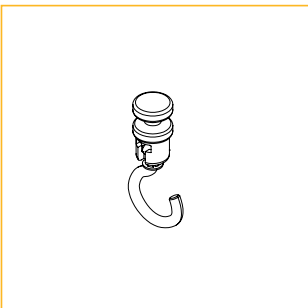
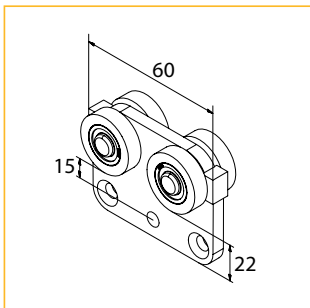
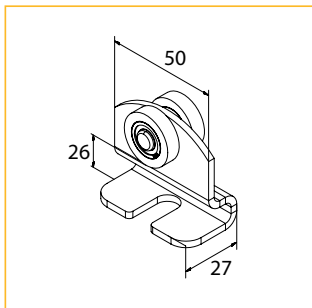
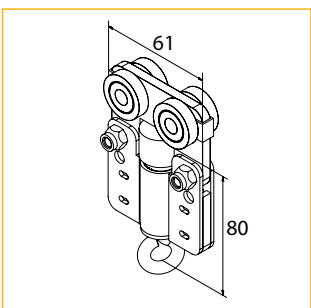
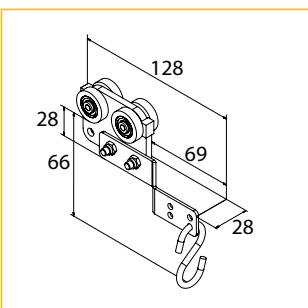
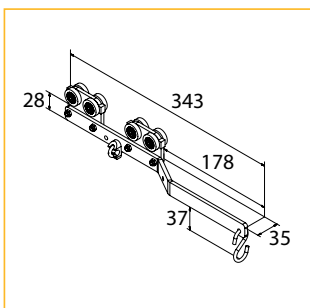
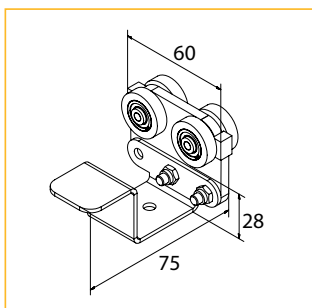


### MOTOR OPERATION

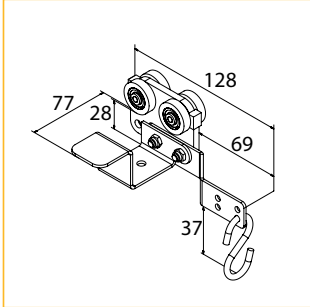
This configuration offers the possibility to automatically control the curtains from any place with a remote module or through DMX. Two fixed positions are possible and, depending on the motor, variable speed control is also provided. Different overlap carriers ensure perfect closure of curtains of any size. For larger curtains, double rails can be placed with a custom overlap, while operation with one motor remains possible.

! Motor operation is only available for straight tracks!

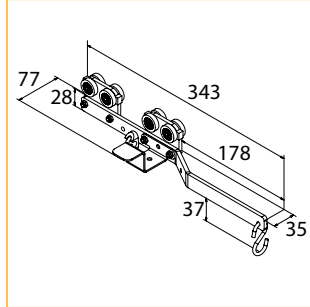
» COMPONENTS (MM)

TRACK					
	1. Track	2. Curved Track	3. Joiner Set	4. End Stop	
	MOUNTING				
		5. Half Coupler Clamp	6. Hidden Ceiling Clip	7. Diamond Shaped Nut	8. Square Channel Nut
RUNNERS					
		9. Ball Raced Runner	10. Glider	11. Ball Raced Master Carrier	12. Scenery Carrier
					
	13. Master Carrier with Brake	14. Short Overlap Carrier	15. Overlap Carrier Set	16. Master Carrier for Motor Control	

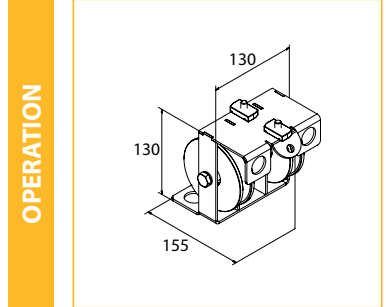
» COMPONENTS (MM)



17. Short Overlap Carrier for Motor Control

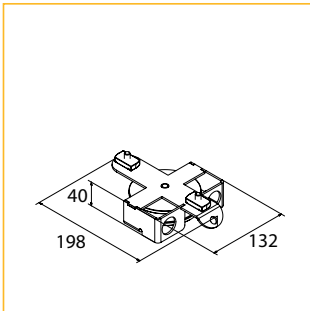


18. Overlap Carrier Set for Motor Control

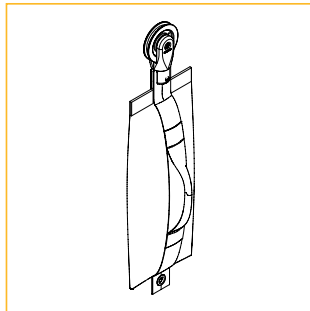


19. Head Pulley

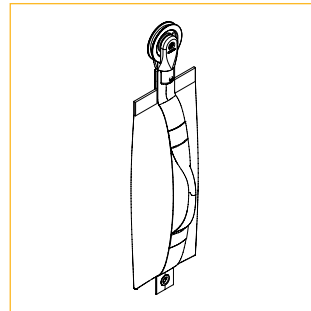
OPERATION



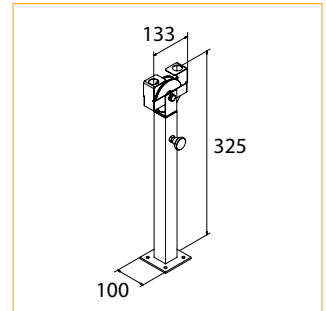
20. Return Pulley



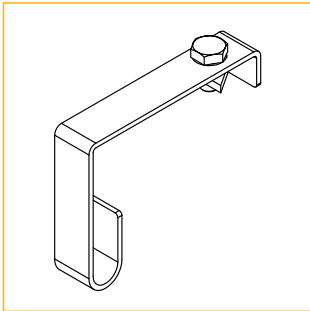
21a. Weighted Return Pulley



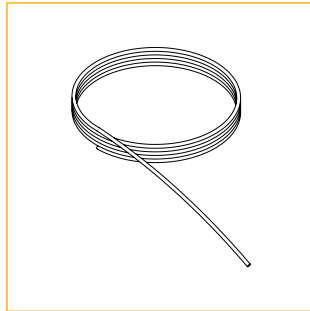
21b. Weighted Return Pulley XL



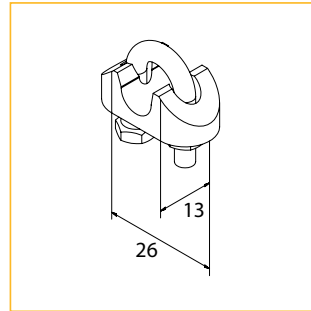
22. Floor Fixed Return Pulley



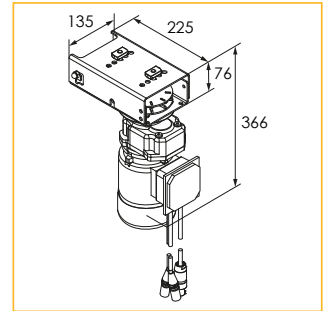
23. Line Pickup



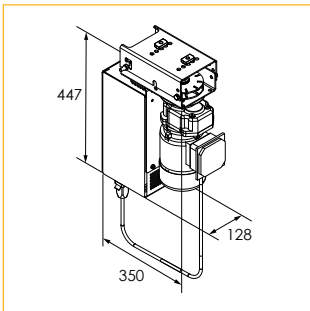
24. Double Braided Rope (Ø8 mm)



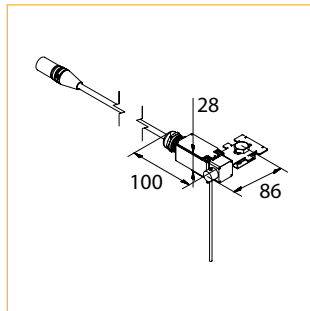
25. Rope Clamp (set of 3)



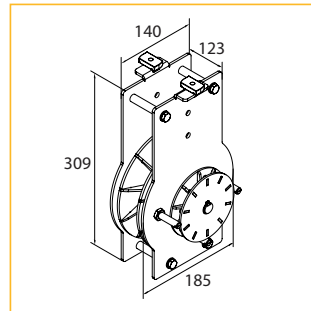
26. Rope Drive Lite



27. Rope Drive Standard



28. Limit Switch Set



29. RopeAssist

## » COMPONENTS

Name	Article code	Colour	Weight
1. Track (6m)	8055 0001 6007	Black	1.31 kg/meter
	45°, R 75 cm	Black	1.54 kg/piece
	45°, R 100 cm	Black	2.06 kg/piece
2. Standard Curved Track	90°, R 50 cm	Black	1.54 kg/piece
	90°, R 75 cm	Black	1.54 kg/piece
	90°, R 100 cm	Black	2.06 kg/piece
Custom Curved Track	R <sub>min</sub> 45 cm	Black	Varies
3. Joiner Set	8055 0042 1507	Black	0.11 kg/set
4. End Stop	8050 0050 0001	Galvanised	0.03 kg/piece
5. Half Coupler Clamp 75 kg + Channel Nut M10	8055 0680 0757	Black	0.40 kg/piece
6. Hidden Ceiling Clip	8055 0110 0017	Black	0.004 kg/piece
7. Diamond-Shaped Nut	8700 9224 0011	Inox	0.01 kg/piece
8. Square Channel Nut	8055 9224 0007	Galvanised	0.02 kg/piece
9. Ball Raced Runner	8050 0205 0083	White	0.03 kg/piece
	8050 0205 0087	Black	0.03 kg/piece
10. Glider	8067 0195 0007	Black	0.17 kg/piece
11. Ball Raced Master Carrier	8050 0221 0163	White	0.05 kg/piece
	8050 0221 0167	Black	0.05 kg/piece
12. Scenery Carrier	8055 0230 0002	Galvanised with plastic wheels	0.11 kg/piece
13. Master Carrier with Brake	8050 0221 0197	Black	0.22 kg/piece
14. Short Overlap Carrier	8050 0245 0053	White	0.09 kg/piece
	8050 0245 0057	Black	0.09 kg/piece
15. Overlap Carrier Set	8050 0246 0167	Black	0.82 kg/set
16. Master Carrier for Motor Control	8050 0228 0163	White	0.116 kg/piece
	8050 0228 0167	Black	0.116 kg/piece
17. Short Overlap Carrier for Motor Control	8050 0245 1057	Black	0.09 kg/piece
18. Overlap Carrier Set for Motor Control	8050 0246 0157	Black	0.82 kg/set
19. Head Pulley	8050 0400 0047	Black	1.65 kg/piece
20. Return Pulley	8050 0410 0047	Black	0.95 kg/piece
21. Weighted Return Pulley	8050 0415 0077	Black	5.50 kg/piece
Weighted Return Pulley XL	8050 0415 0097	Black	10.50 kg/piece
22. Floor Fixed Return Pulley	8050 0420 0007	Black	3.38 kg/piece
23. Line Pickup	8055 0694 0007	Black	0.2 kg/piece
24. Double Braided Rope (Ø8 mm)	7530 0308 0007	Black	0.04 kg/meter
25. Rope Clamp (set of 3)	8050 0248 0035	Galvanised	0.035 kg/piece
26. Rope Drive Lite	8050 0713 2227	Black	10.0 kg/piece
27. Rope Drive Standard	8050 0713 1507	Black	11.8 kg/piece
28. Limit Switch Set	8050 0770 0010	Black/Green	0.226 kg/set
29. RopeAssist	8050 0425 0107	Black	6.54 kg/piece

\* Custom colours on demand.



**HAVE A GREAT SHOW!**  
MORE INFO ON [WWW.SHOWTEX.COM](http://WWW.SHOWTEX.COM)