

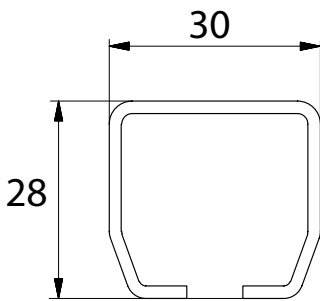
## RAIL H100

## TECHNICAL DATA SHEET

March 2024

Rail H100 is a multifunctional, budget-friendly curtain track for medium-heavy to heavy curtains.

### » TRACK DIMENSIONS (MM)

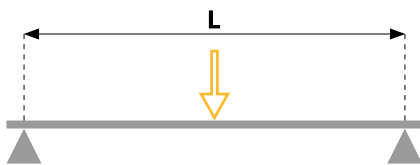


Track weight	1.34 kg/m
Track section max length	6 m
Curved track min radius	0.2 m

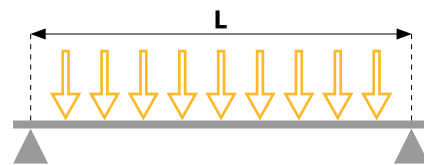
### » SPECIFICATIONS

- The H100 is a steel track, standard available in three different finishes: galvanized, with a white (RAL 9016) or black coating (RAL 9005). Custom colours are available on demand.
- Rails are available in straight lengths or curved to your specifications. Couplers are available to join straight as well as curved rails.
- Mounting options include a wide range of different fixtures, offering a huge variety of application areas.
- A H100 system can be operated:  
Manually: walking along the track or by pull-cord operation  
Automatically: by motor operation with our Rope Drive motors
- Different types of runners are available to answer a broad range of possible needs, including ball raced runners, scenery carriers, master carriers with brakes and overlap carriers.

### » LOAD CAPACITY TRACK



L (m)	Point load (kg)
1	73 kg
1.5	61 kg



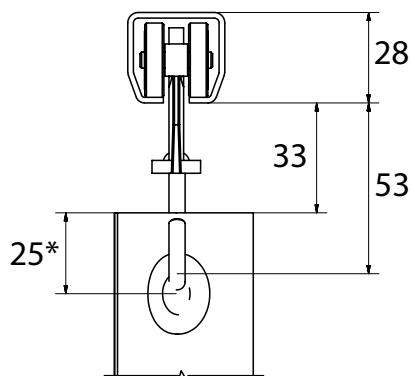
L (m)	Uniformly distributed load (kg/m) • total resulting load (kg)
1	150 kg/m • 150 kg
1.5	75 kg/m • 112 kg

! The distance between two supports should not exceed 1.5 m

The stated load capacities apply to the rail only. The load bearing capacity of the carrying construction (ceiling/truss/...) and all individual mounting accessories must be taken into account as well.

Load capacities have been calculated using Safety Factor 2. Apply the required Safety factor according to the standards pertaining to your application.

» TRACK DIMENSIONS ACCORDING TO CURTAIN SIZE (MM)

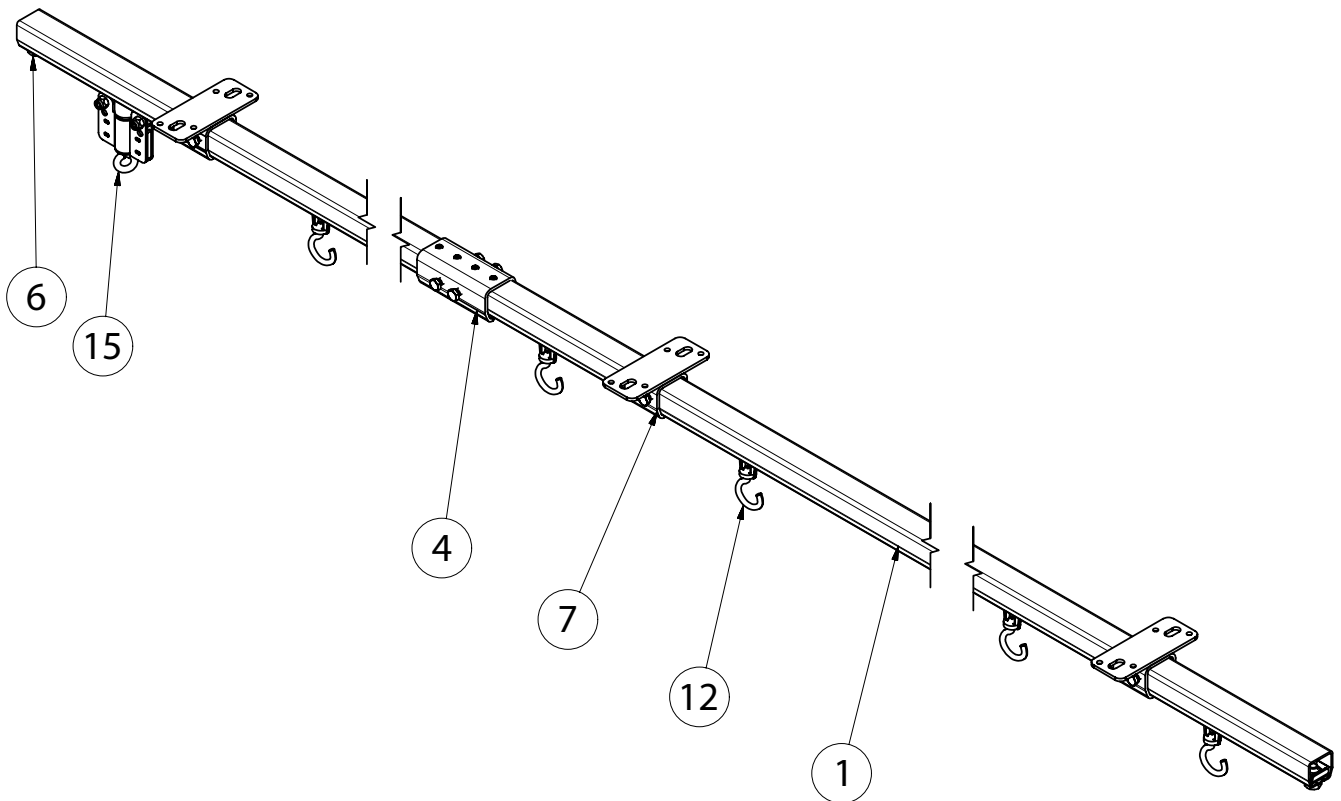


\* standard distance for grommet

» RUNNER INFORMATION

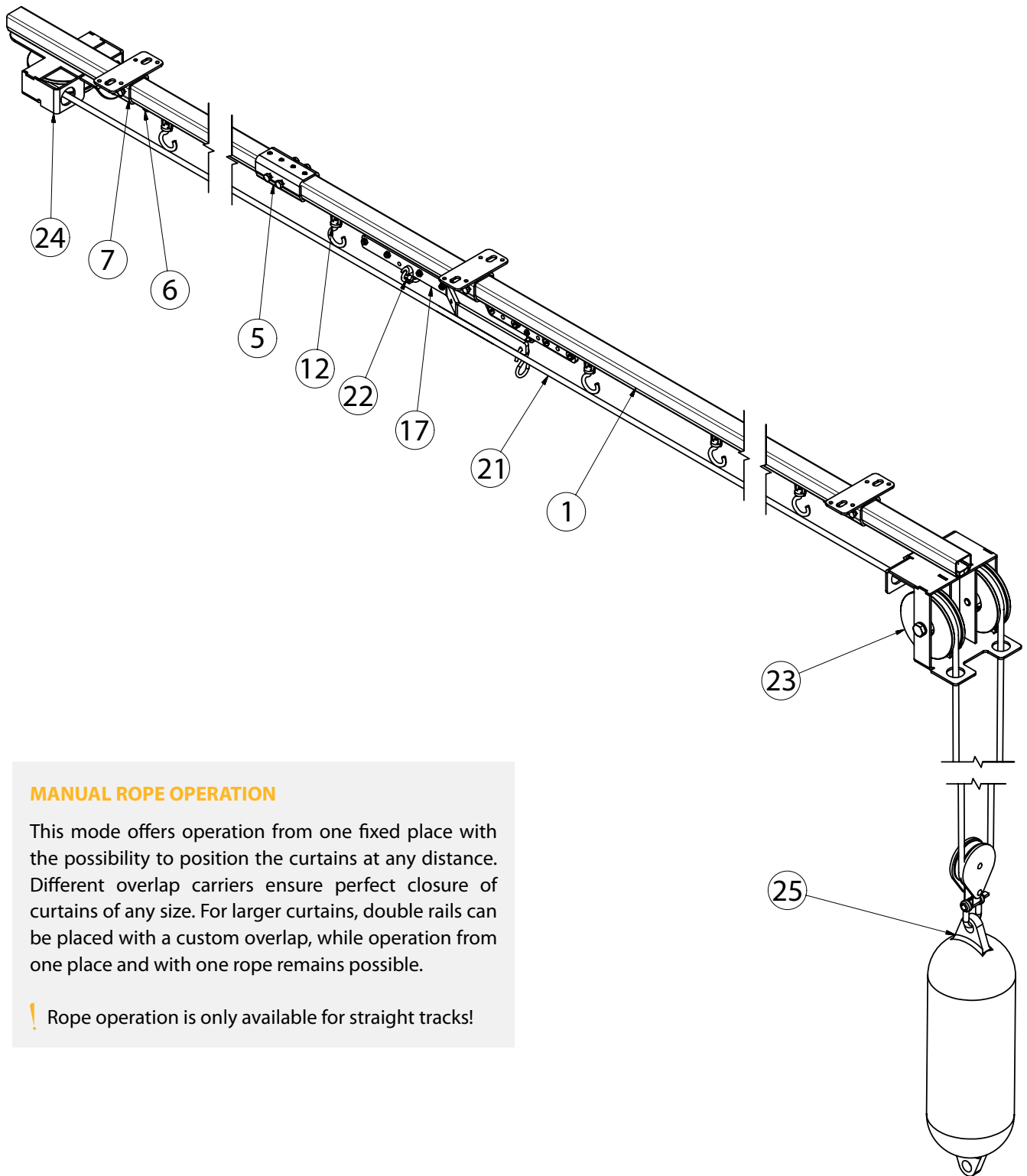
Name	Article code	SWL	MIN. RADIUS OF BENDED RAIL
Ball raced runner	8050 0205 0087	8 kg	205 mm
Master carrier	8050 0221 0167	15 kg	205 mm
Scenery carrier	8050 0230 0302	60 kg	205 mm
Master carrier with brake	8050 0221 0197	15 kg	205 mm
Short overlap carrier	8050 0245 0057	15 kg	205 mm
Long overlap carrier set	8050 0246 0167	15 kg	2000 mm
Master carrier for motor control	8050 0228 0167	15 kg	n.a.
Short overlap carrier for motor control	8050 0245 1057	15 kg	n.a.
Overlap carrier set for motor control	8050 0246 1167	15 kg	n.a.

» ASSEMBLIES



**WALK-ALONG OPERATION**

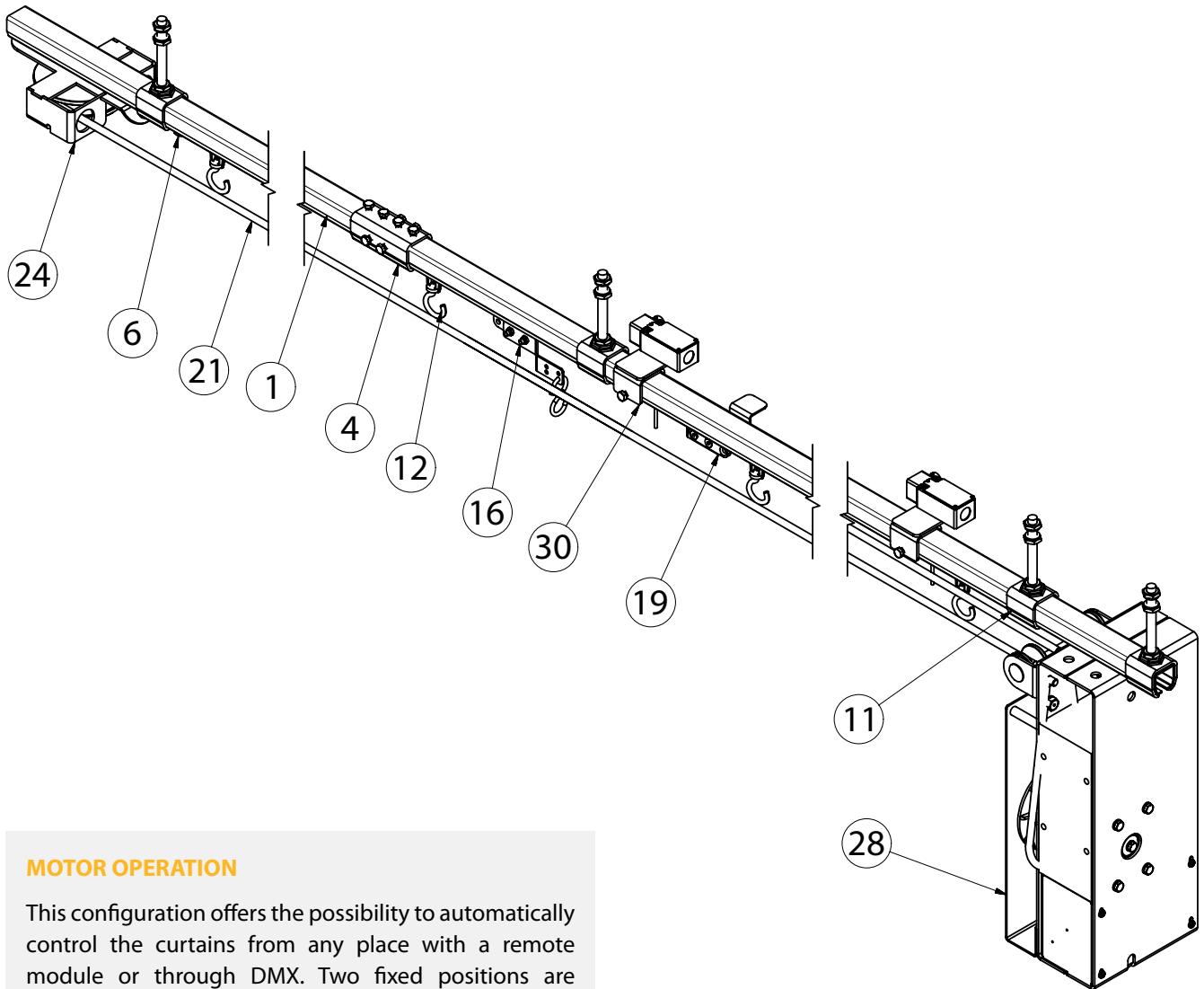
This is the most basic installation of the H100 system. The curtain is pulled along the rail to its required position. Optional braked master carriers make positioning more accurate.



### MANUAL ROPE OPERATION

This mode offers operation from one fixed place with the possibility to position the curtains at any distance. Different overlap carriers ensure perfect closure of curtains of any size. For larger curtains, double rails can be placed with a custom overlap, while operation from one place and with one rope remains possible.

! Rope operation is only available for straight tracks!



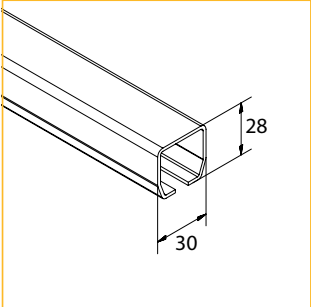
### MOTOR OPERATION

This configuration offers the possibility to automatically control the curtains from any place with a remote module or through DMX. Two fixed positions are possible and, depending on the motor, variable speed control is also provided. Different overlap carriers ensure perfect closure of curtains of any size. For larger curtains, double rails can be placed with a custom overlap, while operation with one motor remains possible.

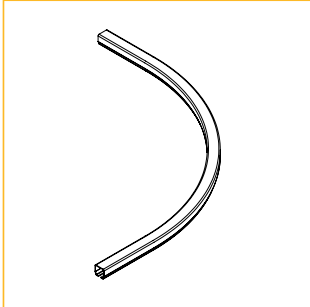
! Motor operation is only available for straight tracks!

» COMPONENTS (MM)

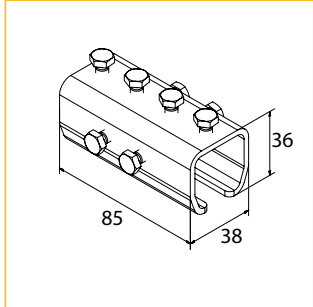
TRACK



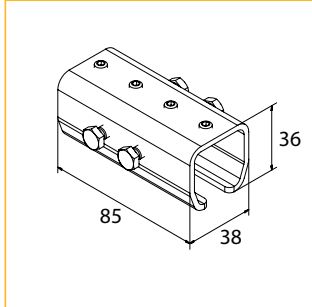
1. Track



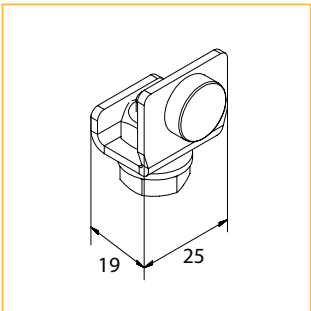
2 + 3. Curved Track



4. Coupling

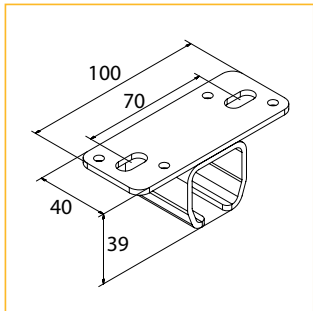


5. Coupling for use with Ceiling Brackets

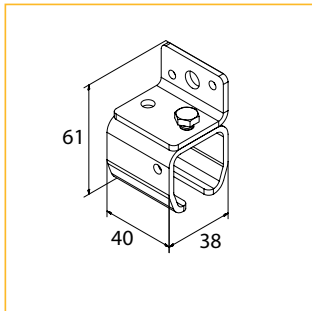


6. End Stop

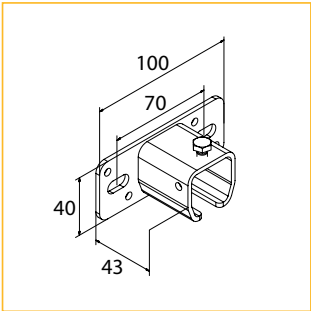
MOUNTING



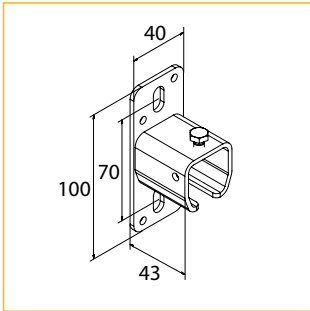
7. Ceiling Bracket



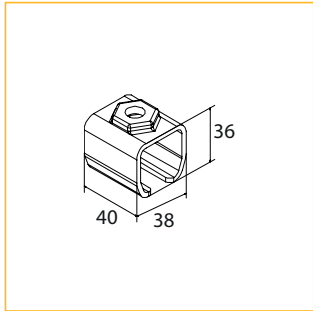
8. Wall Bracket



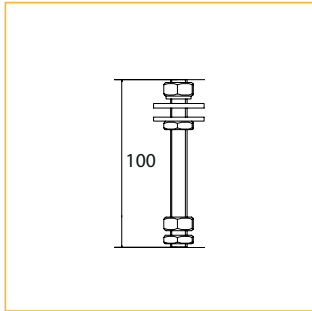
9. Horizontal Wall Bracket



10. Vertical Wall Bracket

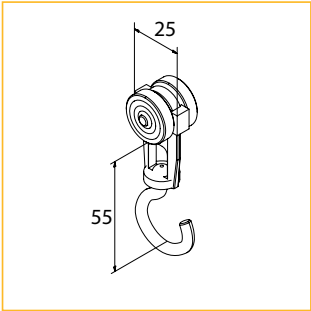


11. Bracket for threaded rod

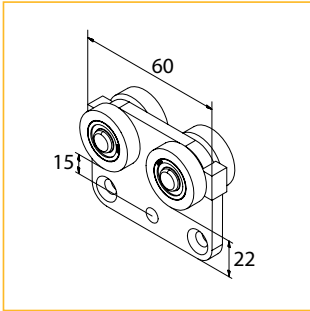


12. Threaded rod M10

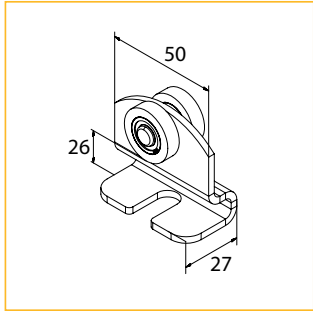
RUNNERS



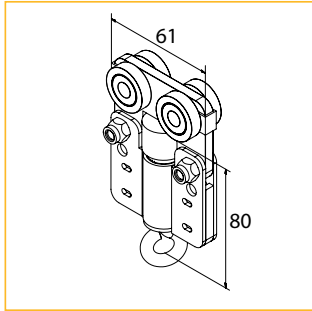
13. Ball Raced Runner



14. Ball Raced Master Carrier

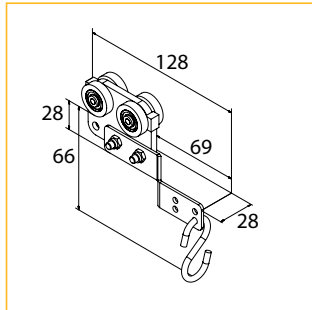


15. Scenery Carrier

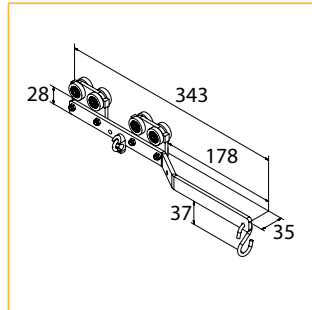


16. Master Carrier with Brake

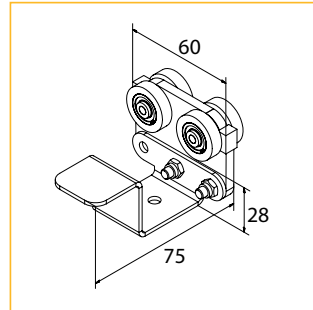
» COMPONENTS (MM)



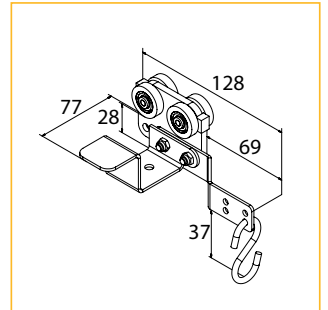
17. Short Overlap Carrier



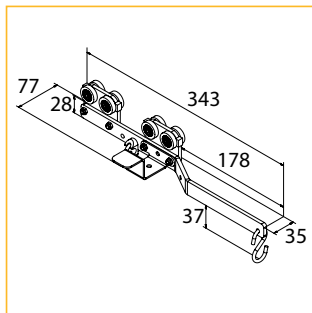
18. Overlap Carrier Set



19. Master Carrier for Motor Control

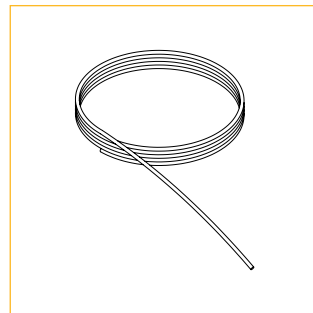


20. Short Overlap Carrier for Motor Control

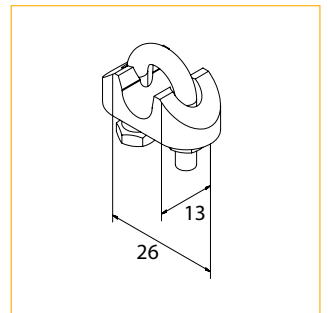


21. Overlap Carrier Set for Motor Control

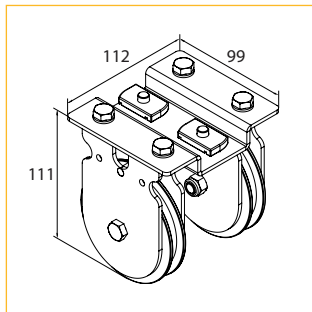
OPERATION



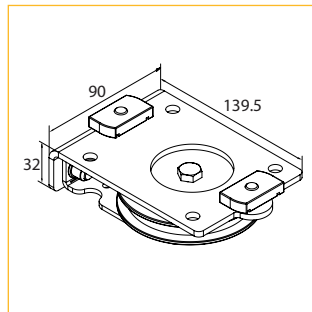
22. Double Braided Rope



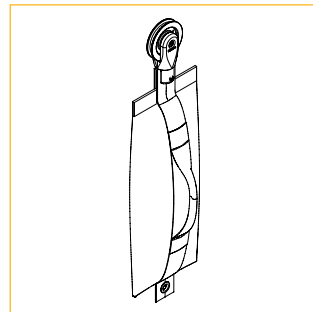
23. Rope Clamp



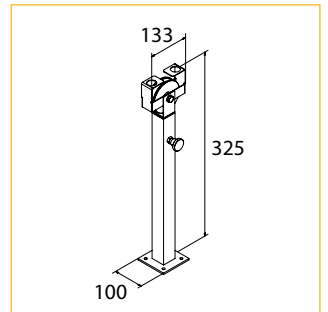
24. Head Pulley



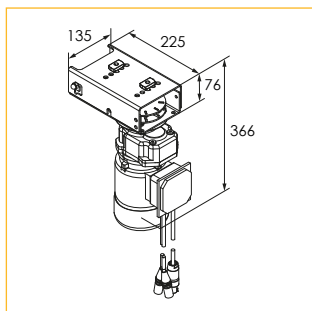
25. Return Pulley



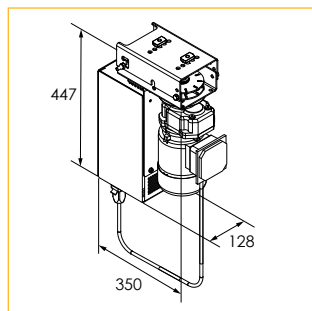
26 + 27. Weighted Return Pulley



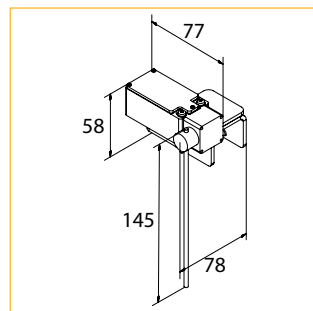
28. Floor Fixed Return Pulley



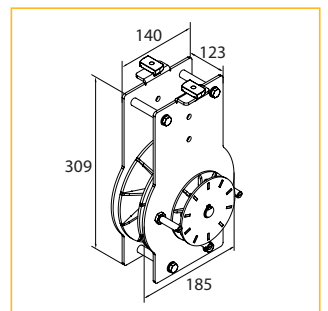
29. Rope Drive Lite



30. Rope Drive Standard



31. Limit Switch Set



32. RopeAssist

## » COMPONENTS

Name	Article code	Colour	Weight	
1. Track (6m) *	8050 0001 6001 8050 0001 6007	Galvanised Black	1.34 kg/meter	
	45°, R 65 cm	8050 0004 0651 8050 0004 0657	Galvanised Black	1.85 kg/piece
	45°, R 100 cm	8050 0004 1001 8050 0004 1007	Galvanised Black	2.66 kg/piece
	90°, R 20.5 cm	8050 0007 0201 8050 0007 0203 8050 0007 0207	Galvanised White Black	1.93 kg/piece
	90°, R 30 cm	8050 0007 0201 8050 0007 0203 8050 0007 0207	Galvanised Black White	1.92 kg/piece
	2. Standard Curved Track *	90°, R 40 cm	8050 0007 0401 8050 0007 0407	Galvanised Black
90°, R 50 cm		8050 0007 0501 8050 0007 0507	Galvanised Black	2.48 kg/piece
90°, R 65 cm		8050 0007 0651 8050 0007 0657	Black Galvanised	2.10 kg/piece
90°, R 100 cm		8050 0007 1001 8050 0007 1007	Galvanised Black	4.88 kg/piece
90°, R 200 cm		8050 0007 2001 8050 0007 2007	Galvanised Black	5.10 kg/piece
23.5 cm < R < 200 cm		805000070001	Galvanised	Varies
23.5 cm < R < 200 cm		805000070003	White	Varies
3. Custom Curved Track *	23.5 cm < R < 200 cm	805000070006	Black	Varies
	R > 200 cm	805000070011	Galvanised	Varies
	R > 200 cm	805000070013	White	Varies
	R > 200 cm	805000070016	Black	Varies
4. Coupling *	8050 0040 0801 8050 0040 0803 8050 0040 0807	Galvanised White Black	0.24 kg/piece	
	5. Coupling for use with Ceiling Brackets *	8050 0040 0811 8050 0040 0817	Galvanised Black	0.24 kg/piece
	6. End Stop	8050 0050 0001	Galvanised	0.03 kg/piece
7. Ceiling Bracket *	8050 0110 0001 8050 0110 0003 8050 0110 0007	Galvanised White Black	0.18 kg/piece	
	8. Wall Bracket *	8050 0100 0001 8050 0100 0007	Galvanised Black	0.14 kg/piece
	9. Horizontal Wall Bracket *	8050 0100 0037	Black	0.14 kg/piece
10. Vertical Wall Bracket *	8050 0100 0057	Black	0.14 kg/piece	
11. Bracket for threaded rod	8050 0131 0001 8050 0131 0003 8050 0131 0007	Galvanised White Black	0.08 kg/piece	



» **COMPONENTS**

Name		Article code	Colour	Weight
12. Threaded rod M10	10 cm	8700 9210 0411 8700 9210 0417	Galvanised Black	0.10 kg/piece
	20 cm	8700 9210 0421 8700 9210 0427	Galvanised Black	0.15 kg/piece
	50 cm	8700 9210 0451 8700 9210 0457	Galvanised Black	0.25 kg/piece
13. Ball Raced Runner		8050 0205 0083 8050 0205 0087	White Black	0.03 kg/piece
14. Ball Raced Master Carrier		8050 0221 0163 8050 0221 0167	White Black	0.05 kg/piece
15. Scenery Carrier		8055 0230 0001	Galvanised	0.20 kg/piece
16. Master Carrier with Brake		8050 0221 0197	Black	0.22 kg/piece
17. Short Overlap Carrier		8050 0245 0053 8050 0245 0057	White Black	0.09 kg/piece
18. Overlap Carrier Set		8050 0246 0167	Black	0.82 kg/piece
19. Master Carrier for Motor Control		8050 0228 0163 8050 0228 0167	White Black	0.116 kg/piece
20. Short Overlap Carrier for Motor Control		8050 0245 1057	Black	0.09 kg/piece
21. Overlap Carrier Set for Motor Control		8050 0246 1167	Black	0.82 kg/set
22. Double Braided Rope (Ø 8 mm)		7530 0308 0007	Black	0.04 kg/meter
23. Rope Clamp (set of 3)		8050 0248 0035	Galvanised	0.035 kg/piece
24. Head Pulley		8050 0400 0047	Black	1.65 kg/piece
25. Return Pulley		8050 0410 0047	Black	0.95 kg/piece
26. Weighted Return Pulley		8050 0415 0077	Black	5.50 kg/piece
27. Weighted Return Pulley XL		8050 0415 0097	Black	10.50 kg/piece
28. Floor Fixed Return Pulley		8050 0420 0007	Black	3.38 kg/piece
29. Rope Drive Lite		8050 0713 1107	Black	10.0 kg/piece
30. Rope Drive Standard		8050 0713 1507	Black	11.8 kg/piece
31. Limit Switch Set		8050 0770 0010	Black/Green	0.226 kg/set
32. RopeAssist		8050 0425 0107	Black	6.54 kg/piece

**HAVE A GREAT SHOW!**  
MORE INFO ON [WWW.SHOWTEX.COM](http://WWW.SHOWTEX.COM)